

QC7I PF TWIN 4FC-S

System Part Number: EV9328-82



APPLICATIONS

- ◆ Ice machines
- ◆ Coffee brewers

*Validated by ISO 17025 accredited lab for 99.999% reduction of *Pseudomonas diminuta* following the ASTM F838-05 protocol for the validation of 0.2 µm sterilizing grade filters.

†As tested by Pentair.

EPA Est. 002623-IL-002

SYSTEM DESCRIPTION

The **QC7I PF Twin 4FC-S** water filtration system features exclusive Fibredyne™ II bacteriostatic media that filters sediment down to 0.2 micron* and provides chlorine taste & odor reduction at a flow rate of 5 gpm for 30,000 gallons. Integrated scale inhibitor media helps protect against scale formation† on equipment surfaces. The built-in prefilter supports lasting, balanced performance with high turbidity water supplies. This system is certified under NSF/ANSI Standards 42 and 53.

FEATURES • BENEFITS

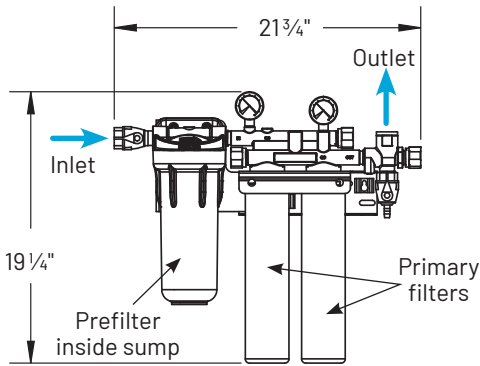
- ◆ Integrated scale inhibitor minimizes the potential for scale formation† to ensure reliable, efficient equipment operation
- ◆ Proprietary Fibredyne II media reduces chlorine taste & odor while providing particulate reduction down to 0.2 micron*
- ◆ Fibredyne II media inhibits the growth of bacteria within the filter to guard against media fouling and optimize performance
- ◆ Inlet shutoff valve, flush valve, and pressure gauges simplify service and monitor operating performance
- ◆ Quick-change (QC) cartridges make changing cartridges simple and sanitary
- ◆ Reduces a range of contaminants to help ensure clearer, fresher water for consistently great-tasting beverages
- ◆ Helps protect equipment to help ensure reliable and efficient operation resulting in reduced maintenance and downtime
- ◆ NSF/ANSI Standard 42 certified for Bacteriostatic Effects and the reduction of Chlorine Taste & Odor, and Particulate Class I
- ◆ NSF/ANSI Standard 53 certified to reduce cysts such as *Cryptosporidium* and *Giardia* by mechanical means

INSTALLATION TIPS

- ◆ Choose a mounting location suitable to support the weight of the system while operating.
- ◆ Install vertically and allow 2½" (6.35 cm) clearance below the cartridge for easy removal and replacement.
- ◆ Feed water temperature must not exceed 100°F (38°C).
- ◆ Do not install where the system could be exposed to freezing temperatures.
- ◆ Feed water supply pressure must not exceed 125 psi (non-shock). When pressure exceeds 85 psi, a pressure reducing valve is recommended.
- ◆ Flush cartridges by running water through the system for five (5) minutes.
- ◆ For more details, see the installation, operation, and maintenance guide included with the system.

QC71 PF TWIN 4FC-S

EV9388-82



SPECIFICATIONS

System	Performance
Overall Dimensions 19.25" H x 21.75" W x 6" D (48.9 cm x 55.3 cm x 15.3 cm)	Service Flow Rate 5.0 gpm (18.93 lpm)
Connections Inlet Connection: 3/4" FNPT Outlet Connection: 3/4" FNPT	Rated Capacity 30,000 gallons (113,562 L)
Operating Pressure 10 - 125 psi (0.7 - 8.6 bar)	Chlorine Taste & Odor Reduction Yes
Water Temperature 35 - 100°F (2 - 38°C)	Particulate Reduction Yes
Operating Weight 24 lbs (10.9 kgs)	Bacteriostatic Effects Yes
Shipping Weight 16 lbs (7.3 kgs)	Cyst Reduction Yes
Electrical Connection None required	Turbidity Reduction Yes

REPLACEMENT CARTRIDGES

Model	Qty	Description	Part No
4FC-S	2	Primary filter	EV9692-31
EC110	1	Prefilter	EV9534-12

For Pentair Everpure Product Warranties visit:
<http://pentair.com/assets/foodservice-warranty>

It is recommended that filter cartridges be replaced every six (6) months on a regular scheduled program, or when capacity is reached or if water pressure or flow to equipment becomes inadequate.

Always replace filter cartridges at least once per year.

The contaminants or other substances removed or reduced by this drinking water system are not necessarily in your water. Do not use with water that is microbiologically unsafe or of unknown quality without adequate disinfection before or after the system.

Systems certified for cyst reduction may be used on disinfected water that may contain filterable cysts.

Since the conditions under which our products may be used are beyond our control, we cannot accept any liability with respect to the improper installation, application and/or use of our products.



System Tested and Certified by NSF International against NSF/ ANSI Standards 42 and 53 for the reduction of:

STANDARD NO. 42 – AESTHETIC EFFECTS	STANDARD NO. 53 – HEALTH EFFECTS
Bacteriostatic Effects	Mechanical Filtration
Chemical Reduction	Cyst
Taste & Odor	Turbidity
Chlorine	
Mechanical Filtration	
Nominal Particulate Class I	



United States | 1040 Muirfield Drive | Hanover Park, IL 60133 | 800.942.1153 (US Only) 630.307.3000 Main | cseverpure@pentair.com | foodservice.pentair.com
Australia | 1-21 Monash Drive | Dandenong South, Vic 3175 | Australia | 011.1300 576 190 Tel | au.everpure@pentair.com
China | 21F Cloud 9 Plaza, NO 1118 | Shanghai, 200052 | China | 86.21.3211.4588 Tel | china.water@pentair.com
India | Boulevard, B-9/A, 7th Floor - Tower B Sector 62 | Noida - 201301 | 91.120.419.9444 Tel | indiacustomer@pentair.com
Europe | Pentair Water Belgium BVBA | Industriepark Wolfstee, Toekomstlaan 30, B-2200 Herentals | Belgium | +32.(0).14.283.504 Tel | sales@everpure-europe.com
Japan | Japan Inc. | Hashimoto MN Bldg. 7F, | 3-25-1 Hashimoto, Midori-ku, Sagami-hara-shi | Kanagawa 252-0143 | Japan | 81.(0)42.775.3011 Tel | info@everpure.co.jp
Southeast Asia | 390 Havelock Road, | #04-01 King's Centre | Singapore 169662 | 65.6768.5800 Tel | cseverpure@pentair.com

All indicated Pentair trademarks and logos are property of Pentair. Third party registered and unregistered trademarks and logos are the property of their respective owners.