



AUTOSET ACCESSORY KIT (P/N 473603z)

FOR ULTRATEMP® HEAT PUMPS

UltraTemp heat pumps manufactured after 5/9/22 are not equipped with a AutoSet contactor. The AutoSet Accessory Kit (P/N 473603z) may be installed if AutoSet and/or Extend features are needed or desired.

This guide provides instructions for installing and wiring the AutoSet Accessory Kit.

⚠ WARNING

Only a qualified service professional should attempt to service the heat pump.

⚠ WARNING



RISK OF ELECTRICAL SHOCK OR ELECTROCUTION. Disconnect all power to the heat pump, filtration pump and any automatic controls at the circuit breaker before servicing. This heat pump contains wiring that carries high voltage. Contact with these wires could result in death or serious injury to pool or spa users, installers, or others due to electrical shock, and may also cause damage to property.

⚠ CAUTION

Label all wires prior to servicing. Wiring the equipment incorrectly can cause improper and dangerous operation. Verify proper operation after servicing.

AUTOSET FEATURE

The AutoSet feature is a time clock override that allows the heat pump to start and stop a remote filter pump to ensure it can properly sense and maintain water temperature.

Program a time interval between the end of the filter pump run cycle and when the heat pump reactivates the filter pump to sense the water temperature.

When the water temperature is below or above the programmed water temperature set points, the autoset contactor will activate and run the pump until the water reaches the desired temperature range. The heat pump and filter pump will then stop.

Refer to the *UltraTemp Installation and User's Guide (P/N 474099)* for instructions on programming the AutoSet feature.

MOUNTING THE AUTOSET CONTACTOR

1. **Disconnect all power to the heat pump, filtration pump and any automatic controls at the circuit breaker.**
2. Remove the outer service panel from the control panel side of the heat pump.
3. Remove the wiring compartment cover located below the control panel.

- Continue to Next Page -

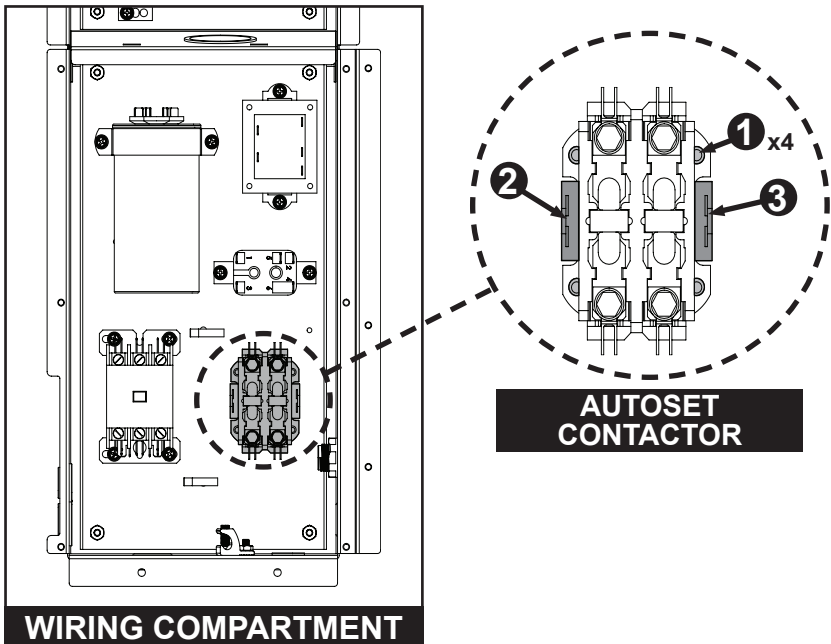
MOUNTING THE AUTOSET CONTACTOR (cont.)

4. Locate the contactor mounting location in the bottom right of the wiring compartment. Refer to the illustration on the next page.
5. Align all four *Contactor Mounting Points (1)* with the four pre-drilled holes in the back wall of the wiring compartment. Refer to the illustration below.
6. Using the four provided screws, secure the contactor to the heat pump.

WIRING THE AUTOSET CONTACTOR

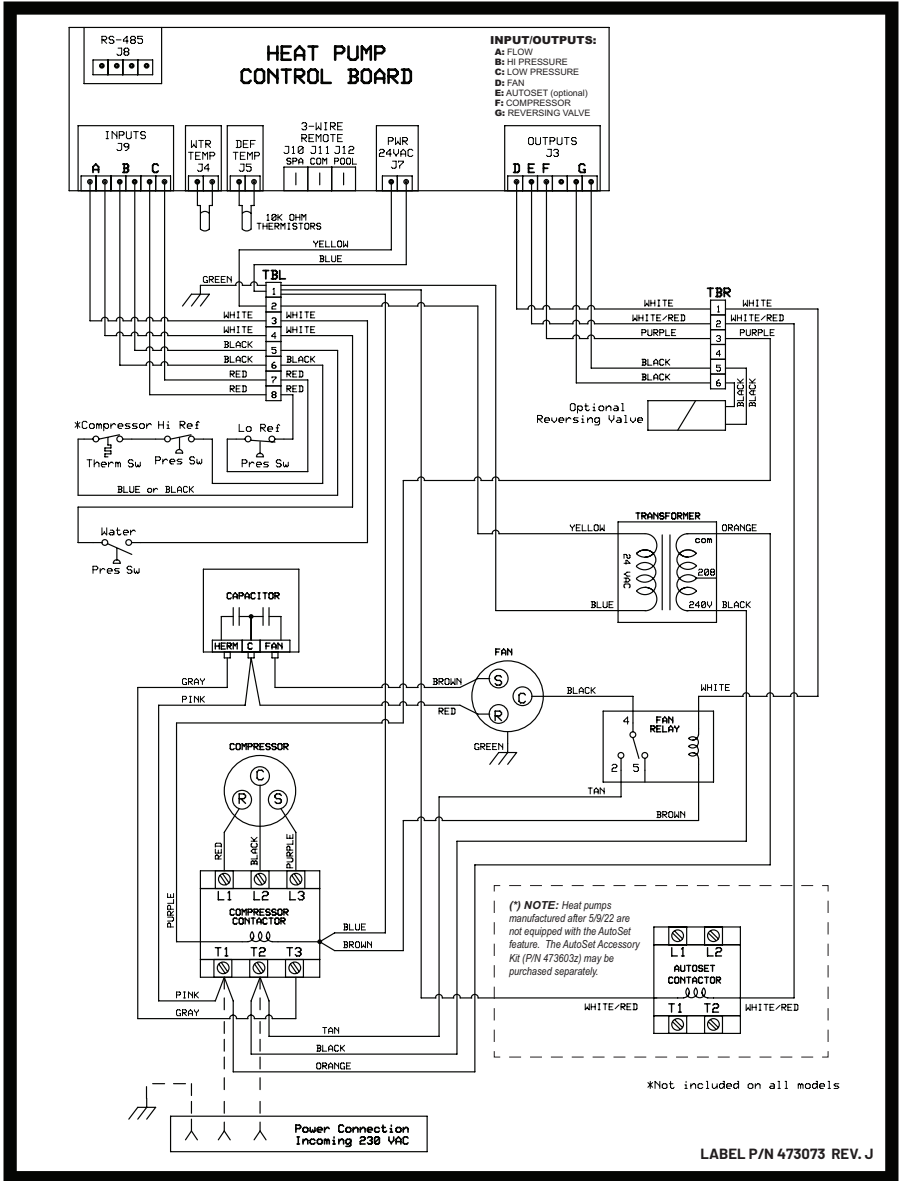
IMPORTANT: Do **NOT** use pin 1 (black) or pin 4 (red) on the AutoSet board or the IntelliTouch mother board.

7. Locate the two white/red wires in the wiring compartment.
8. Connect one of these wires to the left-side *Contactor Wiring Terminal (2)* marked below. Refer to the illustration below.
9. Connect the second white/red wire to the right-side *Contactor Wiring Terminal (3)*.
10. Reinstall the wiring compartment cover and service panel.
11. Reestablish power to the filtration system at the circuit breaker.
12. Ensure the heat pump is operating properly.
Refer to the *UltraTemp Installation and User's Guide (P/N 474099)* for specific instructions and specifications.
13. Refer to the *UltraTemp Installation and User's Guide (P/N 474099)* for instructions on programming the autosest and extend features.



WIRING DIAGRAM

Refer to *WIRING THE AUTOSET CONTACTOR* for wiring instructions.





1620 HAWKINS AVE., SANFORD, NC 27330 • (919) 566-8000
10951 WEST LOS ANGELES AVE., MOORPARK, CA 93021 • (805) 553-5000

All indicated Pentair trademarks and logos are property of Pentair. Third party registered and unregistered trademarks and logos are the property of their respective owners.

© 2022 Pentair. All rights reserved. WWW.PENTAIR.COM



P/N 476462 REV. A 9/26/22