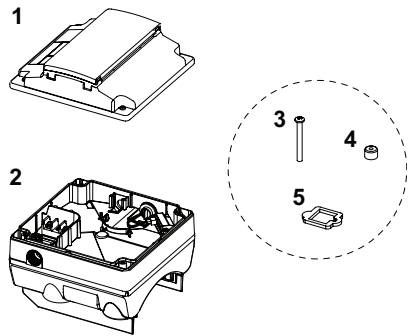


INTELLIFLO® AND INTELLIPRO® VARIABLE SPEED PUMP DRIVE ASSEMBLY REPLACEMENT KIT INSTALLATION GUIDE

Kit Contents

1. Keypad Assembly — (P/N 357527Z [Almond] or P/N 358527Z [Black]), (Qty. 1)
2. IntelliFlo or IntelliPro Pump Drive Assembly — (Qty. 1)
3. Screw 10-24 X 3¼ inch PH MS 18-8 S/S — (P/N 356871), (Qty. 3)
4. Motor Post Cap — (P/N 350142), (Qty. 3)
5. Drive Gasket — (P/N 350108), (Qty. 1)



RISK OF ELECTRICAL SHOCK OR ELECTROCUTION:

PUMPS REQUIRE HIGH VOLTAGE WHICH CAN SHOCK, BURN, OR CAUSE DEATH. BEFORE WORKING ON PUMP! Always disconnect power to the pool pump at the circuit breaker from the pump before servicing the pump. Failure to do so could result in death or serious injury to service person, pool users or others due to electric shock.

Read all servicing instructions before working on the pump.



DO NOT open the strainer pot if pump fails to prime or if pump has been operating without water in the strainer pot. Pumps operated in these circumstances may experience a build up of vapor pressure and may contain scalding hot water. Opening the pump may cause serious personal injury. In order to avoid the possibility of personal injury, make sure the suction and discharge valves are open and strainer pot temperature is cool to touch, then open with extreme caution.

IMPORTANT NOTE FOR INTELLIFLO AND INTELLIPRO VS+SVRS DRIVE KITS:

The replacement IntelliFlo or IntelliPro VS+SVRS drive assembly must ONLY be used on the original IntelliFlo or IntelliPro VS+SVRS pump. This replacement SVRS drive assembly is NOT to be used with a non-SVRS pump. The original SVRS pump serial number is referenced in the PO# of this shipment or is included in the body of the packing list. If the referenced serial number does not match the serial number of the pump being serviced, please call Pentair Technical Support at 1-800-831-7133.

Introduction

The IntelliFlo® Variable Speed Pump Drive Assembly Replacement Kit contains everything you need to replace the existing drive assembly on the IntelliFlo Variable Speed Pump.

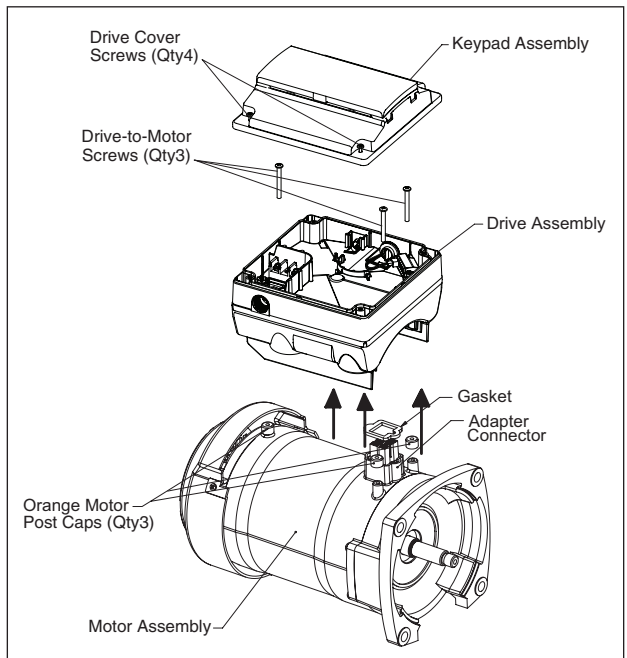
Drive Assembly Removal

CAUTION AVOID TOUCHING ELECTRICAL CONTACT ON UNDERSIDE OF DRIVE ASSEMBLY. THE CONTACTS MAY BE ENERGIZED BY INTERNAL CAPACITORS FOR SEVERAL MINUTES AFTER EXTERNAL POWER IS REMOVED.

CAUTION TO AVOID ELECTRICAL HAZARD, DO NOT REMOVE THE FOUR TAMPER PROOF SCREWS FROM THE MOTOR ASSEMBLY.

WARNING TO AVOID DANGEROUS OR FATAL ELECTRICAL SHOCK HAZARD, SWITCH OFF POWER TO THE MOTOR BEFORE WORKING ON THE PUMP OR MOTOR.

1. Be sure all electrical breakers and switches are turned off before removing the drive.
2. If applicable, disconnect the RS-485 communication cable from the pump.
3. Remove the four (4) drive cover screws from the corners of the drive top cover.
4. Unplug the keypad assembly from the drive and set it to the side in a safe place.
5. Remove the three (3) drive-to-motor screws, located inside the drive, that anchor the drive to the motor.
6. Lift up the drive assembly and remove it from the motor adapter connector located on top of the motor assembly.
7. Remove the three (3) orange motor post caps and the drive connection gasket.



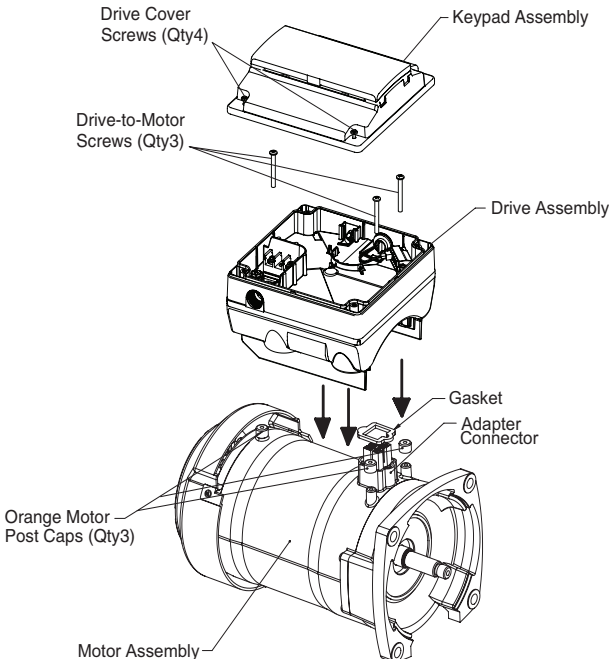
Drive Assembly Installation

Note: The gasket between the drive and motor is critical in keeping moisture out of the drive and motor. DO NOT reassemble with a damaged or missing gasket. The manufacturer recommends replacing the existing gasket with the one supplied in this kit before installing the replacement drive assembly.

1. Be sure all electrical breakers and switches are turned off before installing the drive.
2. Install the new drive connection gasket between the drive and motor. It is critical in keeping moisture out of the drive and motor. DO NOT reassemble with a damaged or missing gasket.
3. Install the three (3) orange motor post caps onto the motor and remove the red protective tape from the drive's terminal connection opening on the underside of the drive.
4. Align the drive assembly with the motor adapter connector and seat the drive on the motor assembly.
5. Secure and tighten the drive assembly with the three (3) drive-to-motor screws.
6. Plug the keypad assembly into the drive.
7. Place the keypad assembly in the desired orientation on the drive and reattach the four (4) drive cover screws in the corners of the drive.

Note: Ensure that the keypad cable is not being pinched between the drive and keypad cover.

8. Reconnect the RS-485 if connecting to automation and restore power to the pump at the breakers.



IMPORTANT SAFETY INSTRUCTIONS

READ AND FOLLOW ALL INSTRUCTIONS

SAVE THESE INSTRUCTIONS



1620 HAWKINS AVE., SANFORD, NC 27330 • (919) 566-8000
10951 WEST LOS ANGELES AVE., MOORPARK, CA 93021 • (805) 553-5000
WWW.PENTAIRPOOL.COM

All Pentair trademarks and logos are owned by Pentair or one of its global affiliates. IntelliFlo®, IntelliPro® and Sta-Rite® are registered trademarks of Pentair Water Pool and Spa, Inc. and/or its affiliated companies in the United States and/or other countries. Unless expressly noted, names and brands of third parties that may be used in this document are not used to indicate an affiliation or endorsement between the owners of these names and brands and Pentair Water Pool and Spa, Inc. Those names and brands may be the trademarks or registered trademarks of those third parties. Because we are continuously improving our products and services, Pentair reserves the right to change specifications without prior notice. Pentair is an equal opportunity employer.

© 2016 Pentair Water Pool and Spa, Inc. All rights reserved. This document is subject to change without notice.



P/N 356906 REV. B 2/17/16