



## Table of Contents

Mr. L&B . . . . .	1
Website Updates . . . . .	2
Factory Contact Information . . . . .	2
History of Layne & Bowler . . . . .	3

## Message from Mr. L&B

How many of you liked History class in school? Ok, how many of you actually remember History class? I admit I got caught sleeping more often than not. Now that I'm older, I find myself watching the History Channel!

In this issue we decided to cover the history of Layne & Bowler / Verti-Line. How many of you know that there were **two** separate Layne & Bowler's that competed against one another through the better part of the 20<sup>th</sup> century? Interestingly, they started out as one, but as they expanded, two individual manufacturers took form. It wasn't until 1986 that they merged back together.

Many of our long time distributors know our history, or are at least well versed with one of the Layne & Bowler's. But we also have a good number of new distributors who may not know that we are the second oldest vertical turbine pump company on the market.

I compiled notes from a variety of sources, including an old interview with M.E. Layne, one of the original founders. Hopefully you will find our history interesting and useful when talking with engineers and end users.



## Website Updates

Our website is continuously evolving as information is added in response to inquiries we receive. The most recent addition includes data on discharge heads and low lift pumps.

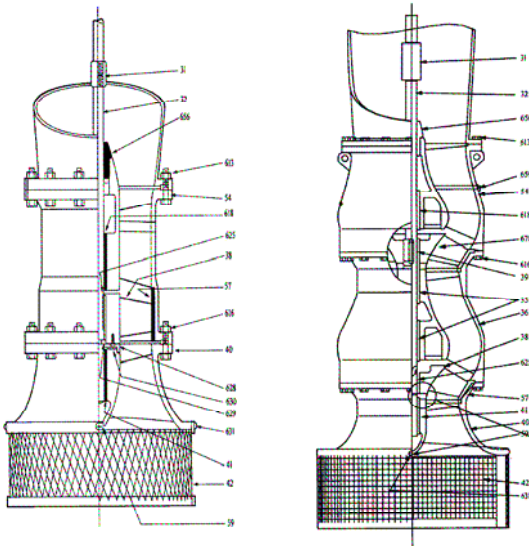
Interest created from the discharge head article in our May issue has pushed us to add dimensional data on older cast iron AC, R, FCL, GCL, and BCL Verti-Line discharge heads. These heads can be compared against our current SDC and LAD cast heads for interchangeability when quoting replacement units.

### Cut Sheets - *Verti-Line Layne & Bowler, Los Angeles, CA*

<p><b>Bowl Assembly</b></p> <p><a href="#">Dual Bowl Bearings</a></p> <p><a href="#">30K &amp; 36EH</a></p> <p><a href="#">6LM through 30LM Mixed Flow</a></p> <p><a href="#">8P through 42P Propeller</a></p> <p><b>Column Assembly - <a href="#">Keyed Lineshaft &amp; Coupling</a></b></p> <p><b>Head Assembly</b></p> <p><a href="#">LB Head</a></p> <p><a href="#">VLH Head</a></p> <p><a href="#">AC and R Head Dimensions</a></p> <p><a href="#">FCL, GCL and BCL Head Dimensions</a></p>
--

Propeller and mixed flow pump inquiries are on the rise. Therefore we've added bowl assembly cutsheets to show:

- Open & enclosed lineshaft arrangement
- Single & two stage construction
- Propeller & mixed flow bowl designs



## Contact Information

### Layne & Bowler/ Verti-Line

#### Address

3601 Fairbanks Ave.  
Kansas City, KS 66012

**FAX** (913) 748-4030

#### Website (all go to one site)

[www.laynevertiline.com](http://www.laynevertiline.com)

[www.vertiline.com](http://www.vertiline.com)

[www.laynebowler.com](http://www.laynebowler.com)

[www.lvlpump.com](http://www.lvlpump.com)

### Pump Sales, Technical Support, Newsletter

Chris Lula, P.E.

(913) 748-4254 phone

[chris.lula@pentairwater.com](mailto:chris.lula@pentairwater.com)

### Parts Sales & Order Entry, Tech. Support

Josh Blanks

(913) 748-4255 phone

[josh.blanks@pentairwater.com](mailto:josh.blanks@pentairwater.com)

### Pump Order Entry

[LVProduct@pentairwater.com](mailto:LVProduct@pentairwater.com)

#### South, West, & Midwest

Carol Hampton

(913) 748-4224 phone

#### East, Canada, and Firepump

Eddie Fears

(913) 748-4282 phone

### Order Status (US & Canada, Pumps Only)

Melissa Thompson

[LVDeliveries@pentairwater.com](mailto:LVDeliveries@pentairwater.com)

### Warranty and Field Service

Connie Groves

(913) 748-4212 phone

[connie.groves@pentairwater.com](mailto:connie.groves@pentairwater.com)

### Firepump Estimate Sheets

Carolyn Crews

(913) 748-4209

[carolyn.crews@pentairwater.com](mailto:carolyn.crews@pentairwater.com)

## History 101

### Layne & Bowler & Verti-Line

*Memphis, 1914*

Depending on which part of the country you're in, the name "Layne & Bowler" can refer to two different pump companies. East of the Rockies, people recognize the Layne & Bowler based out of Memphis, TN. West of the Rockies, most know Layne & Bowler Verti-Line that was based in Los Angeles, CA. So how did these two companies start out with the same name, and how did they combine into the Layne / Verti-Line that we are today?



It begins with a gentleman by the name of M.E. Layne, who drilled his first water well in 1882. He soon found himself operating a very successful well drilling business in the Midwest. Word spread, and Layne was lured to Houston, Texas in 1902 to help oil drilling operations. This same year, Layne designed and built his first turbine pump with help of O.P. Woodburn. Woodburn worked for Layne as a developing engineer.

Layne's next door neighbor happened to be P.D. Bowler, a sales manager for a wholesale hardware company. In 1904, Layne, Bowler and Woodburn teamed up to form Layne & Bowler. Their business would be to manufacture vertical turbine pumps and well screens. Layne & Bowler was incorporated in Houston, Texas in 1907.

In 1908, Bowler moved to Los Angeles, CA, to organize a partnership and open a factory for the west coast trade. Layne & Bowler Company of California was incorporated in 1910, and became Layne & Bowler Corporation in 1912.

Back in Houston, the combined well drilling and manufacturing operation grew large enough that Layne decided to build a new facility. Memphis, Tennessee was chosen for the location and construction began in 1913. Layne & Bowler headquarters and primary manufacturing relocated to Memphis in 1914.

In 1916, Layne moved west to Los Angeles to buy out Bowler and take control of Layne & Bowler Corporation. Layne's sons would operate the Memphis and Houston plants.

Layne's wide spread drilling operation broke away in 1922 and reorganized as a series of subsidiaries / sales outlets for factory products as well as drilling contractors. These operations are now owned by Layne Christensen and are known in local regions as Layne Atlantic, Layne Western, Layne Texas, Layne Northern, and so on.

M.E. Layne sold his Memphis stock in 1923, thus making Memphis and Los Angeles operations truly separate competitors. Also this same year, several Layne employees from the Los Angeles plant left to start their own pump company, known as Peerless Pump.

In 1925, Layne divided his empire among his wife and three remaining sons. The Houston company reincorporated as The Layne & Bowler Company, manufacturing well screens and drilling apparatus. The Memphis subsidiary was incorporated as Layne & Bowler, Inc., primarily manufacturing vertical turbines. Layne & Bowler Corporation of Los Angeles was incorporated into a charitable foundation operated for the benefit of Mrs. Layne and the Layne family. The Los Angeles facility operated as a charitable foundation until 1948, when it was sold to several of its chairmen.

The Layne & Bowler Corporation moved from their Los Angeles facility to a new plant in City of Commerce, CA in 1951. Then in 1954, the name changed to Layne & Bowler Pump



Company. During the mid-1950's, "Verti-Line" was added and the California operation became known as Layne & Bowler Verti-Line. Manufacturing moved again in 1964, this time to a new facility in City of Industry, CA.



1961 is a significant year in that by a court trial, it was determined that Layne & Bowler, Inc. (Memphis) and Layne & Bowler Pump Company (California) were and had been true competitors since 1923 (when M.E. Layne sold his Memphis stock.)

Back in Memphis, not much had changed for Layne & Bowler, Inc. until 1962, when it purchased Western Pump Company. Wel-Line was then introduced to serve the agricultural market, and combined the best features of Layne and Western.



Changes in ownership are inevitable, and both the Memphis and California operations were no exception. In 1969, the Singer Company purchased Layne & Bowler, Inc. Verti-Line was bought by General Signal (who also owned Aurora Pump) on January 1, 1972. In 1975, Singer sold Layne & Bowler, Inc. to the Marley Company. Then on March 18, 1986, Marley bought Verti-Line from General Signal. All Verti-Line manufacturing was moved to

Memphis, so both Layne & Bowler lines could be built under one roof. General Signal went after vertical turbines again, and on November 19, 1993 purchased Layne & Bowler from Marley, ironically re-acquiring Verti-Line! Production was moved to the Aurora Pump factory in North Aurora, IL, and consequently marked the closing of the Memphis facility after 79 years of operation.

As production settled in at Aurora, General Signal sold their entire Pump Group to Pentair in 1997, which included Layne and Verti-Line. Turbine production was moved once more, this time to the Fairbanks Morse factory in Kansas City, KS. Eventually all major vertical turbine production for Pentair would be located under one roof in Kansas City.



At the turn of the 21st century, it was decided to combine Layne and Verti-Line into one line and logo as you see today. With over 100 years of experience and hydraulic designs from the Memphis, California, and Kansas City operations, we provide the most complete hydraulic coverage of vertical turbine pumps available anywhere.