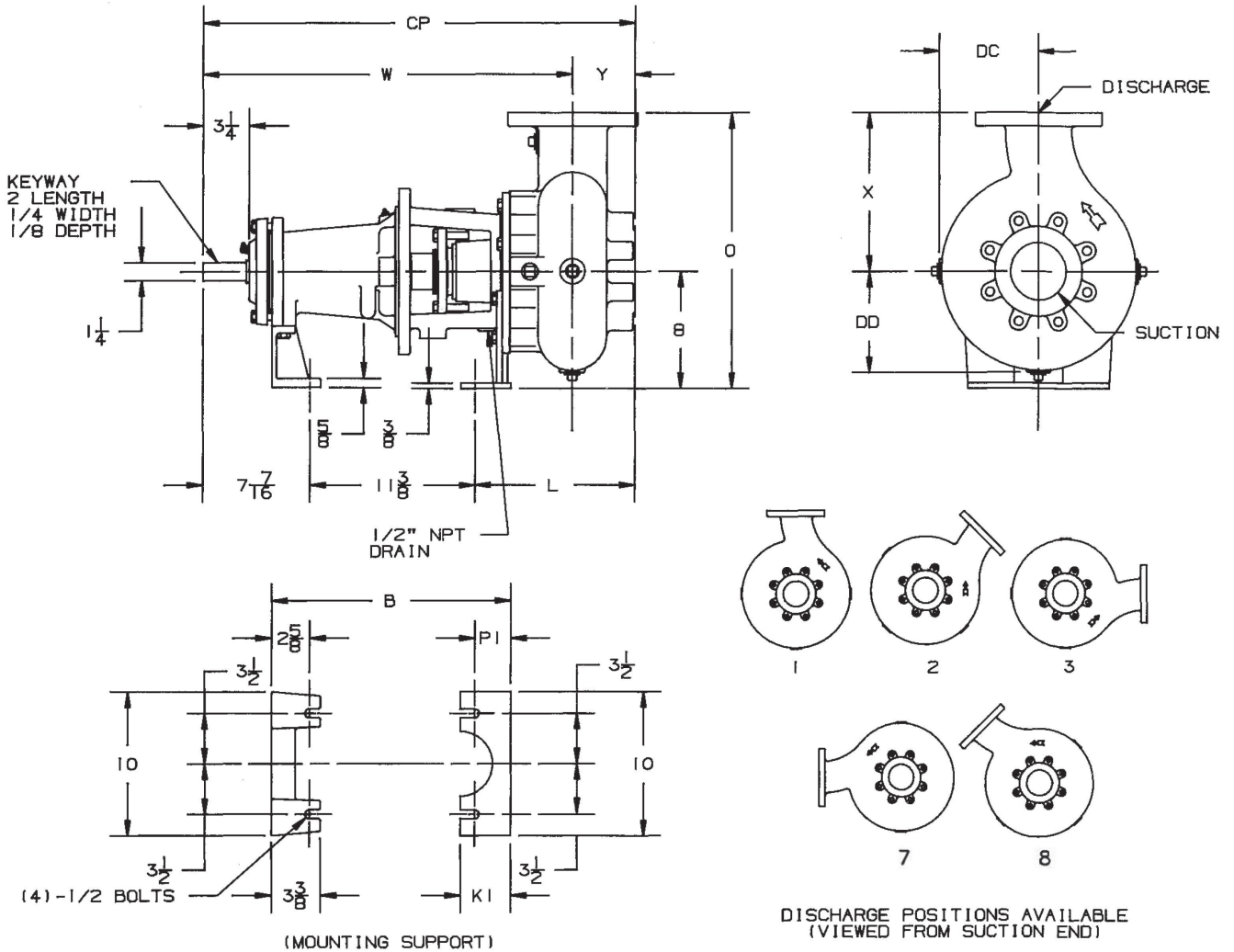


AURORA® MODEL 661A PUMP

3" & 4" PUMPS

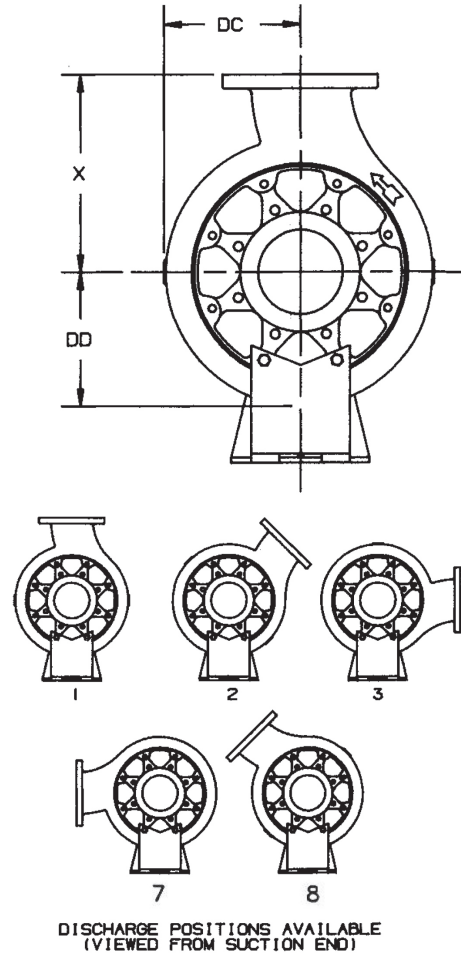
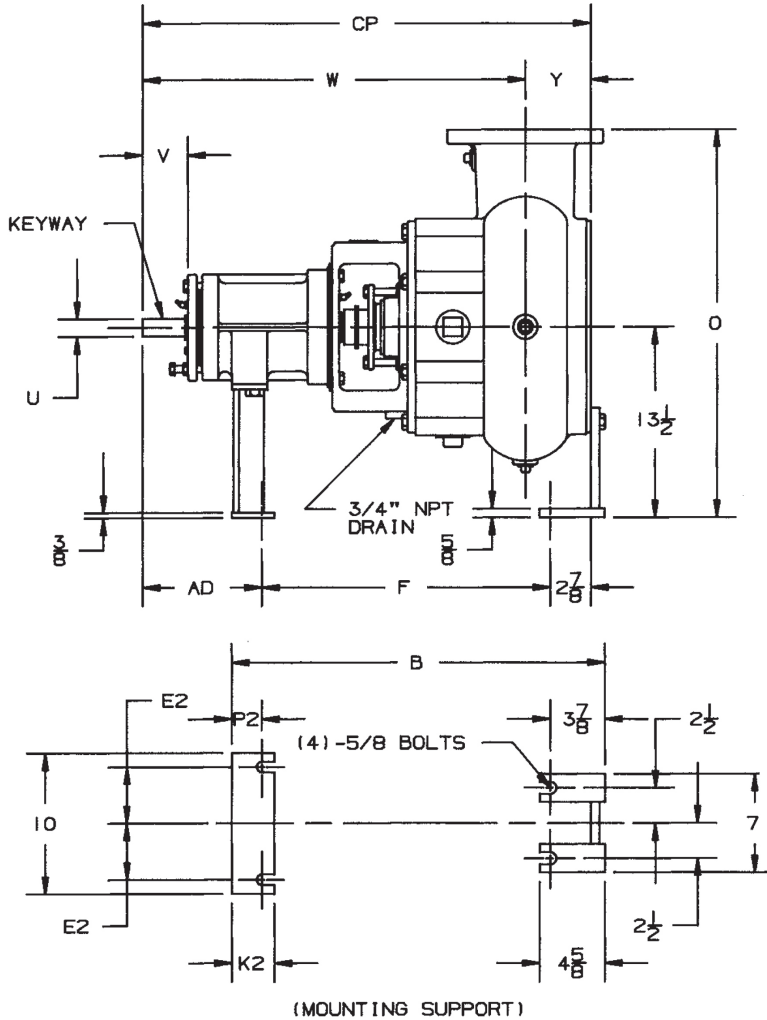


DISCHARGE POSITIONS AVAILABLE
(VIEWED FROM SUCTION END)

DISCH SUCT CASE BORE	POWER FRAME	B	L	O	PI	W	X	Y	CP	DC	DD
3x3x9	3C	16-1/2	9-13/16	18	2-1/2	25-1/2	10	3-1/8	28-5/8	6-3/4	6-3/4
3x3x12	3C	16-3/8	9-15/16	21	2-3/8	25-5/8	13	3-1/8	28-3/4	8-3/8	8-3/8
4x4x9	3C	16-1/2	11-1/16	19	2-1/2	26-1/2	11	3-3/8	29-7/8	7-1/4	7-1/4
4x4x12	3C	16-3/8	11-3/16	21	2-3/8	26-5/8	13	3-3/8	30	8-7/8	8-7/8

NOTES:

1. All dimensions in inches.
2. Dimensions may vary $\pm 1/4$ ".
3. Not for construction purposes unless certified.
4. Two (2) 1/2" NPT connections 180° apart, on the stuffing box for lubrication purposes, are furnished as standard.
5. Discharge position 1 is furnished as standard unless specified.
6. Suction and discharge flanges are American Standard 125 Lbs.
7. Check discharge position, casing dimensions which exceed 8" may require pads for the pump and/or motor.



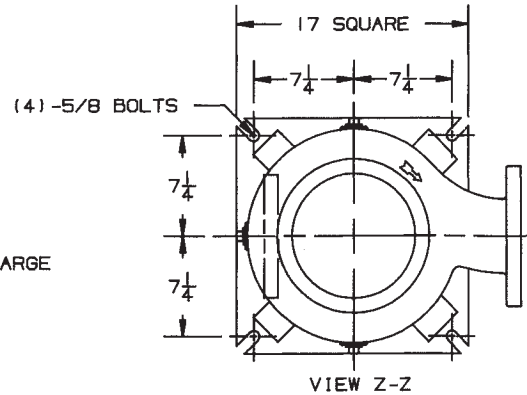
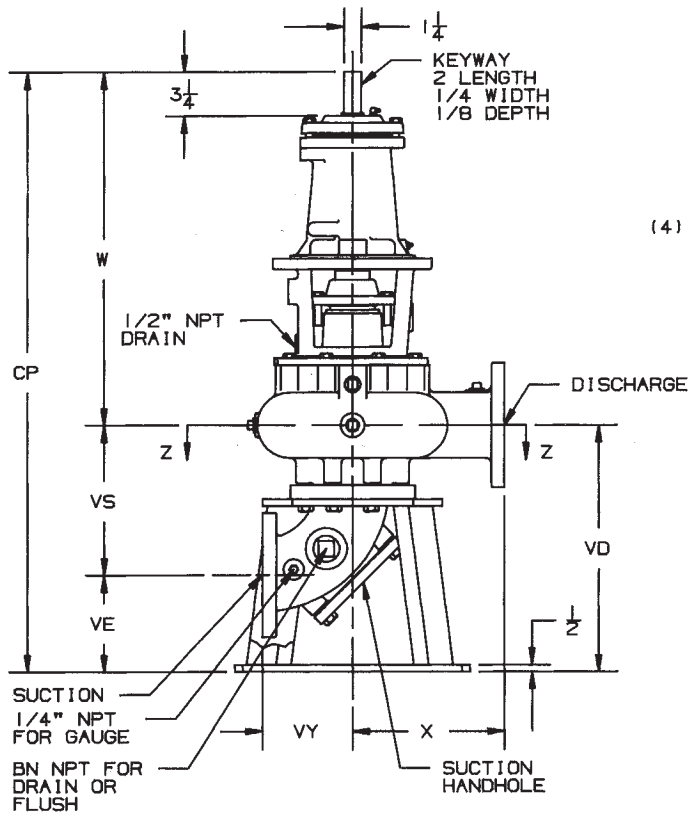
DISCH SUCT CASE BORE	POWER FRAME	B	E2	F	K2	O	P2	W	X	Y	AD	CP	DC	DD
6x6x12	4C	26-1/2	4	20-1/2	3	27-1/2	2-1/8	27-1/8	14	4-5/8	8-3/8	31-3/4	9-7/8	9-7/8
6x6x12	5E	32-3/4	3-3/4	26-1/8	4	27-1/2	2-3/4	38-1/8	14	4-5/8	13-3/4	42-3/4	9-7/8	9-7/8
6x6x15	5E	32-3/4	3-3/4	26-1/8	4	29-1/2	2-3/4	38-1/8	16	4-5/8	13-3/4	42-3/4	11-1/16	11-1/16

NOTES:

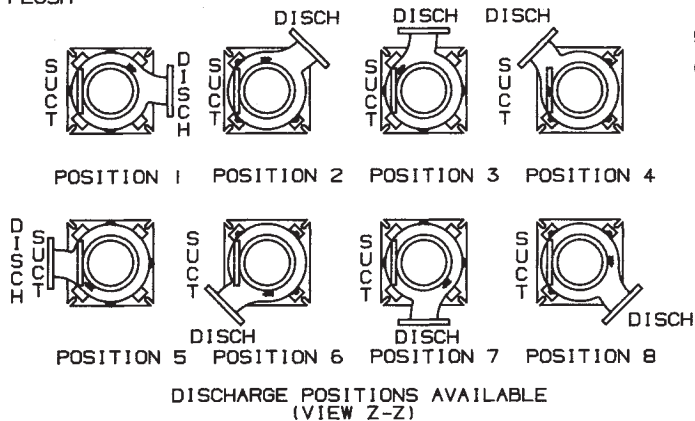
1. All dimensions in inches.
2. Dimensions may vary $\pm 1/4"$.
3. Not for construction purposes unless certified.
4. Two (2) 1/2" NPT connections 180° apart, on the stuffing box for lubrication purposes, are furnished as standard on packed pumps
Alemite fitting is provided in one tap and the remaining tap is plugged.
5. Discharge position I is furnished as standard unless specified.
6. Suction and discharge flanges are American Standard 125 Lbs.

AURORA® MODEL 662A PUMP

3" & 4" PUMPS

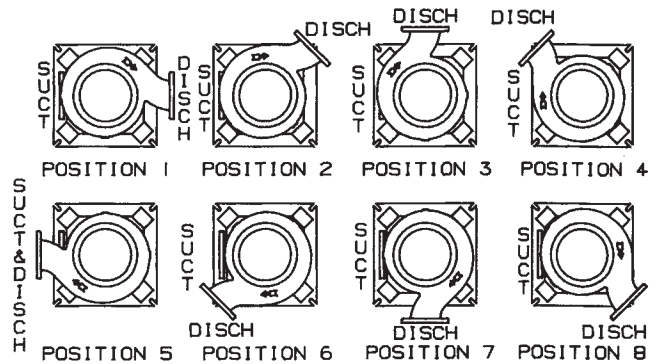
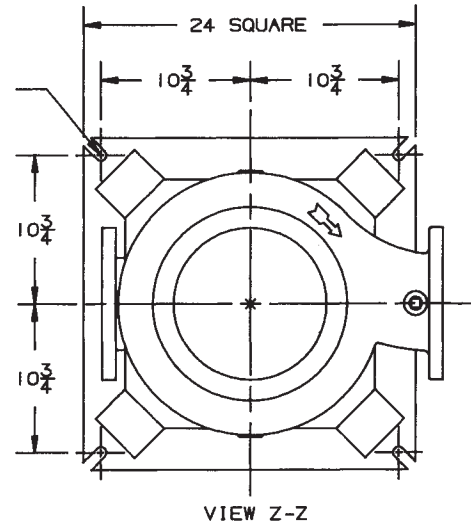
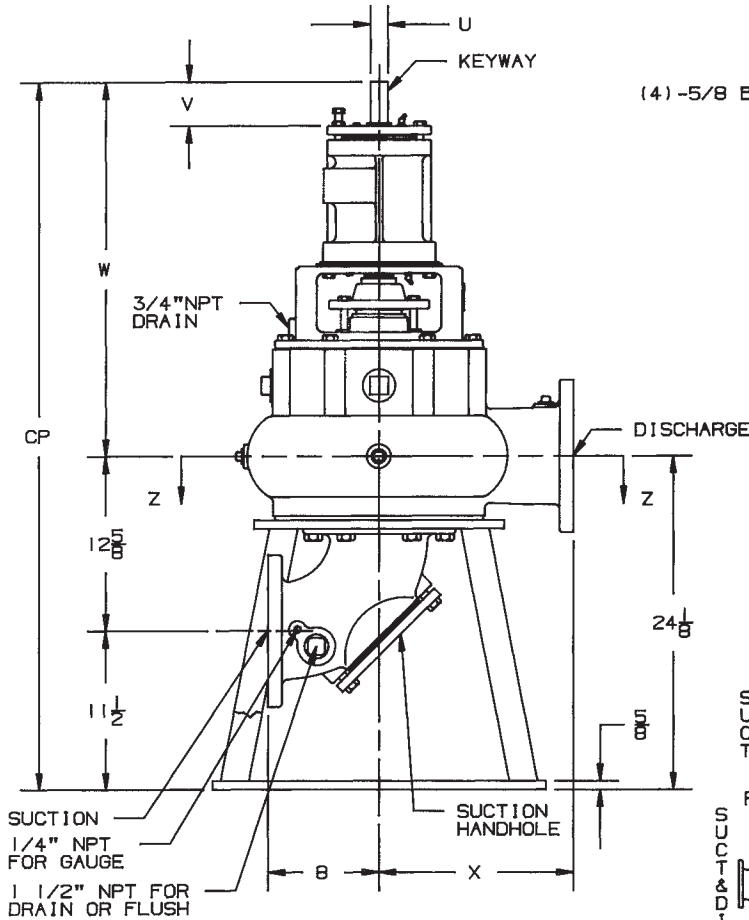


- NOTES:**
1. ALL DIMENSIONS IN INCHES.
 2. DIMENSIONS MAY VARY $\pm 1/4"$.
 3. NOT FOR CONSTRUCTION PURPOSES UNLESS CERTIFIED.
 4. TWO (2) 1/2" NPT CONNECTIONS 180° APART, ON THE STUFFING BOX FOR LUBRICATION PURPOSES ARE FURNISHED AS STANDARD. ON PACKED PUMPS AN ALEMITE FITTING IS PROVIDED IN ONE TAP AND THE REMAINING TAP IS PLUGGED.
 5. DISCHARGE POSITION 1 IS FURNISHED AS STANDARD UNLESS SPECIFIED.
 6. SUCTION AND DISCHARGE FLANGES ARE AMERICAN STANDARD 125 LBS.



NOTE:
PUMP SIZES 3x3x9 AND 3x3x12 DISCHARGE POSITIONS AVAILABLE ONLY IN 1, 3, 5, AND 7.

DISCH SUCT CASE BORE	POWER FRAME	BN	VY	W	X	CP	VD	VE	VS
3x3x9	3C	1	6 1/2	25 1/2	10	41 7/8	16 3/8	6 3/4	9 5/8
3x3x12	3C	1	6 1/2	25 5/8	13	42	16 3/8	6 3/4	9 5/8
4x4x9	3C	1 1/2	6 1/2	26 1/2	11	43 3/8	16 7/8	6 15/16	9 15/16
4x4x12	3C	1 1/2	6 1/2	26 5/8	13	43 1/2	16 7/8	6 15/16	9 15/16



DISCHARGE POSITIONS AVAILABLE (VIEW Z-Z)

- NOTES:
1. ALL DIMENSIONS IN INCHES.
 2. DIMENSIONS MAY VARY $\pm 1/4"$.
 3. NOT FOR CONSTRUCTION PURPOSES UNLESS CERTIFIED.
 4. TWO (2) $1/2"$ NPT CONNECTIONS 180° APART, ON THE STUFFING BOX FOR LUBRICATION PURPOSES ARE FURNISHED AS STANDARD. ON PACKED PUMPS AN ALEMITE FITTING IS PROVIDED IN ONE TAP AND THE REMAINING TAP IS PLUGGED.
 5. DISCHARGE POSITION 1 IS FURNISHED AS STANDARD UNLESS SPECIFIED.
 6. SUCTION AND DISCHARGE FLANGES ARE AMERICAN STANDARD 125 LBS.

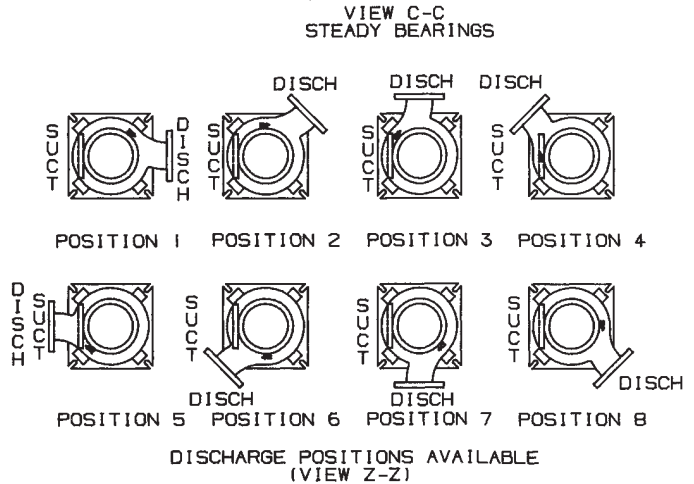
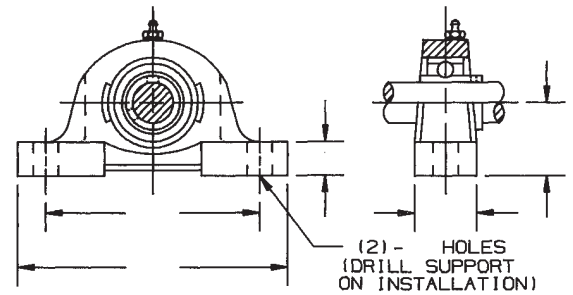
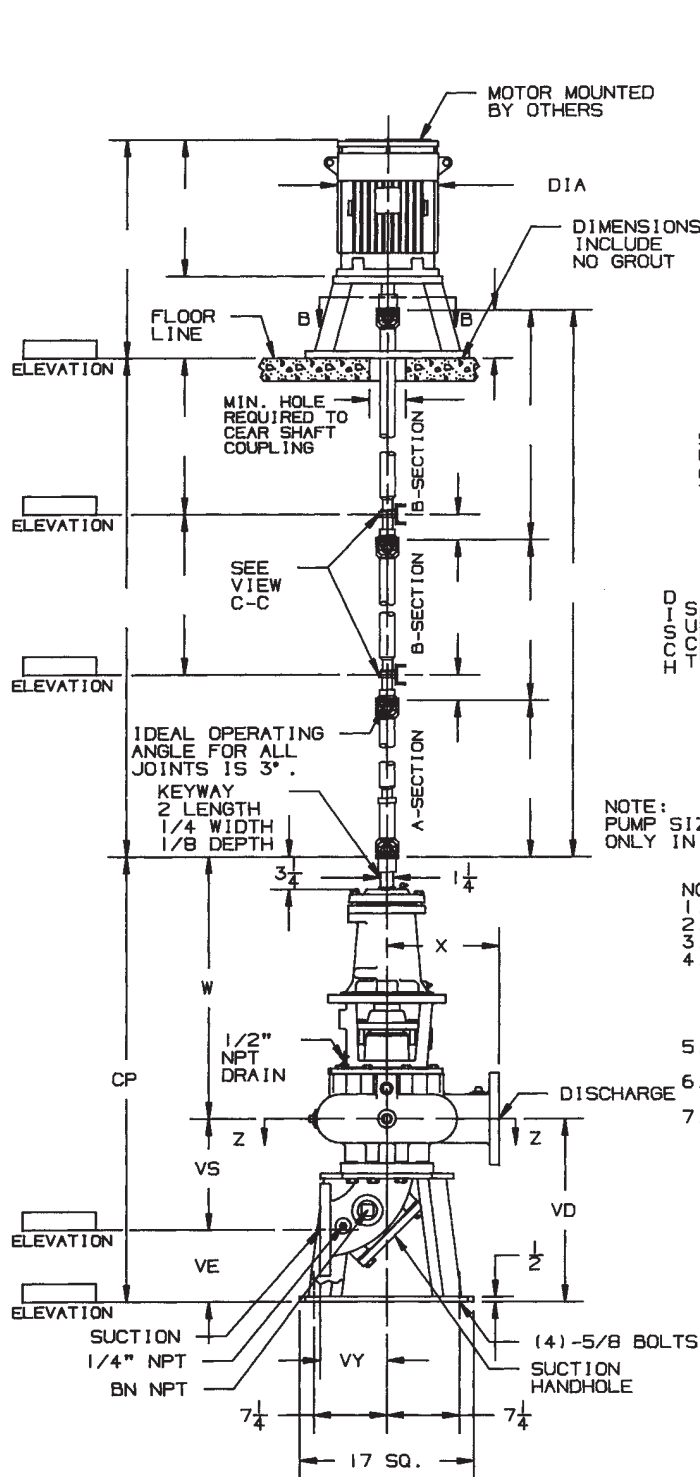
POWER FRAME	U	V	KEYWAY		
			LENGTH	WIDTH	DEPTH
4C	1 1/4	3 3/16	2	1/4	1/8
5E	2 3/8	6 3/8	4	5/8	5/16

DISCH SUCT CASE BORE	POWER FRAME	W	X	CP
6x6x12	4C	27 1/8	14	51 1/4
6x6x12	5E	38 1/8	14	62 1/4
6x6x15	5E	38 1/8	16	62 1/4

3" & 4" PUMPS
FLEXIBLE SHAFT

Date **January 2018**

Supersedes Section 660 Page 205
Dated September 2017

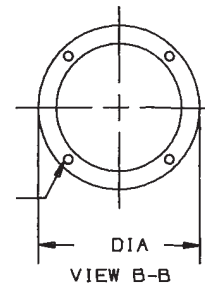


NOTE: PUMP SIZES 3x3x9 AND 3x3x12 DISCHARGE POSITIONS AVAILABLE ONLY IN 1, 3, 5, AND 7.

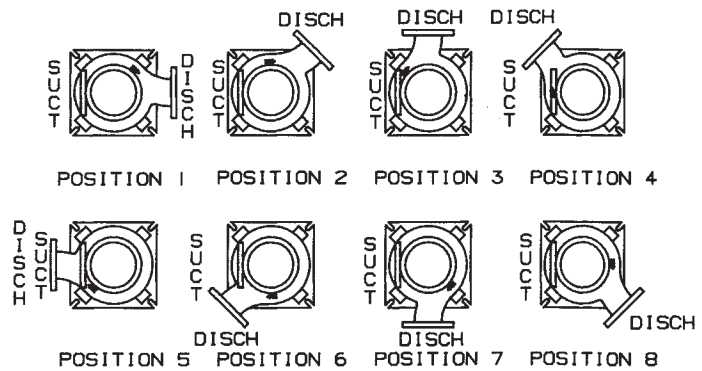
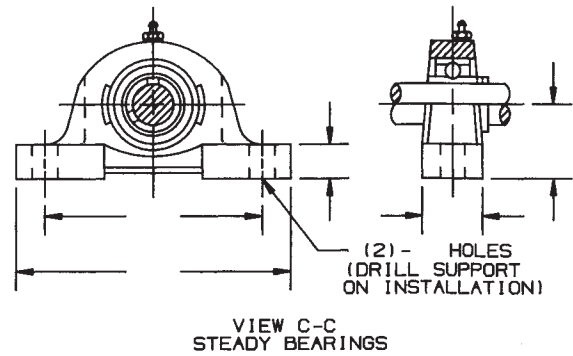
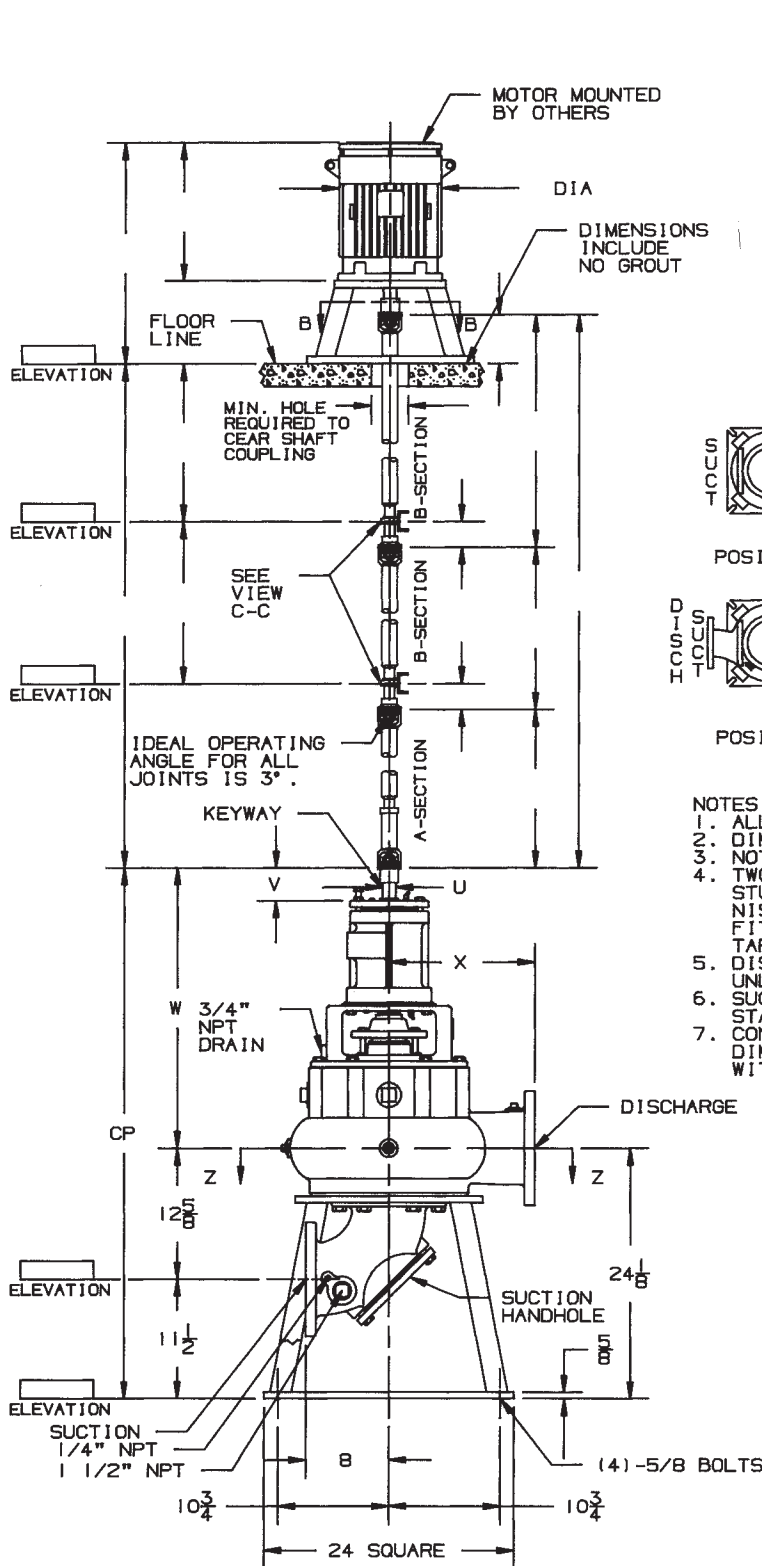
NOTES:

1. ALL DIMENSIONS IN INCHES.
2. DIMENSIONS MAY VARY ± 1/2".
3. NOT FOR CONSTRUCTION PURPOSES UNLESS CERTIFIED.
4. TWO (2) 1/2" NPT CONNECTIONS 180° APART, ON THE STUFFING BOX FOR LUBRICATION PURPOSES ARE FURNISHED AS STANDARD. ON PACKED PUMPS AN ALEMITE FITTING IS PROVIDED IN ONE TAP AND THE REMAINING TAP IS PLUGGED.
5. DISCHARGE POSITION 1 IS FURNISHED AS STANDARD UNLESS SPECIFIED.
6. SUCTION AND DISCHARGE FLANGES ARE AMERICAN STANDARD 125 LBS.
7. CONDUIT BOX IS SHOWN IS APPROXIMATE LOCATION. DIMENSIONS ARE NOT SPECIFIED AS THEY MAY VARY WITH EACH MOTOR MANUFACTURER.

(4) DRILLS ON DIA. FOR FOUNDATION BOLTS.



DISCH	SUCT	CASE	BORE	POWER	FRAME	BN	VY	W	X	CP	VD	VE	VS
3x	3x	9	3C	1	6 1/2	25 1/2	10	41 7/8	16 3/8	6 3/4	9 5/8		
3x	3x	12	3C	1	6 1/2	25 5/8	13	42	16 3/8	6 3/4	9 5/8		
4x	4x	9	3C	1 1/2	6 1/2	26 1/2	11	43 3/8	16 7/8	6 15/16	9 15/16		
4x	4x	12	3C	1 1/2	6 1/2	26 5/8	13	43 1/2	16 7/8	6 15/16	9 15/16		

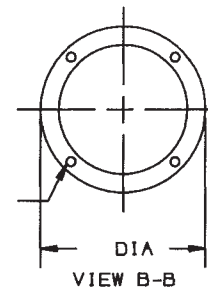


DISCHARGE POSITIONS AVAILABLE
(VIEW Z-Z)

NOTES:

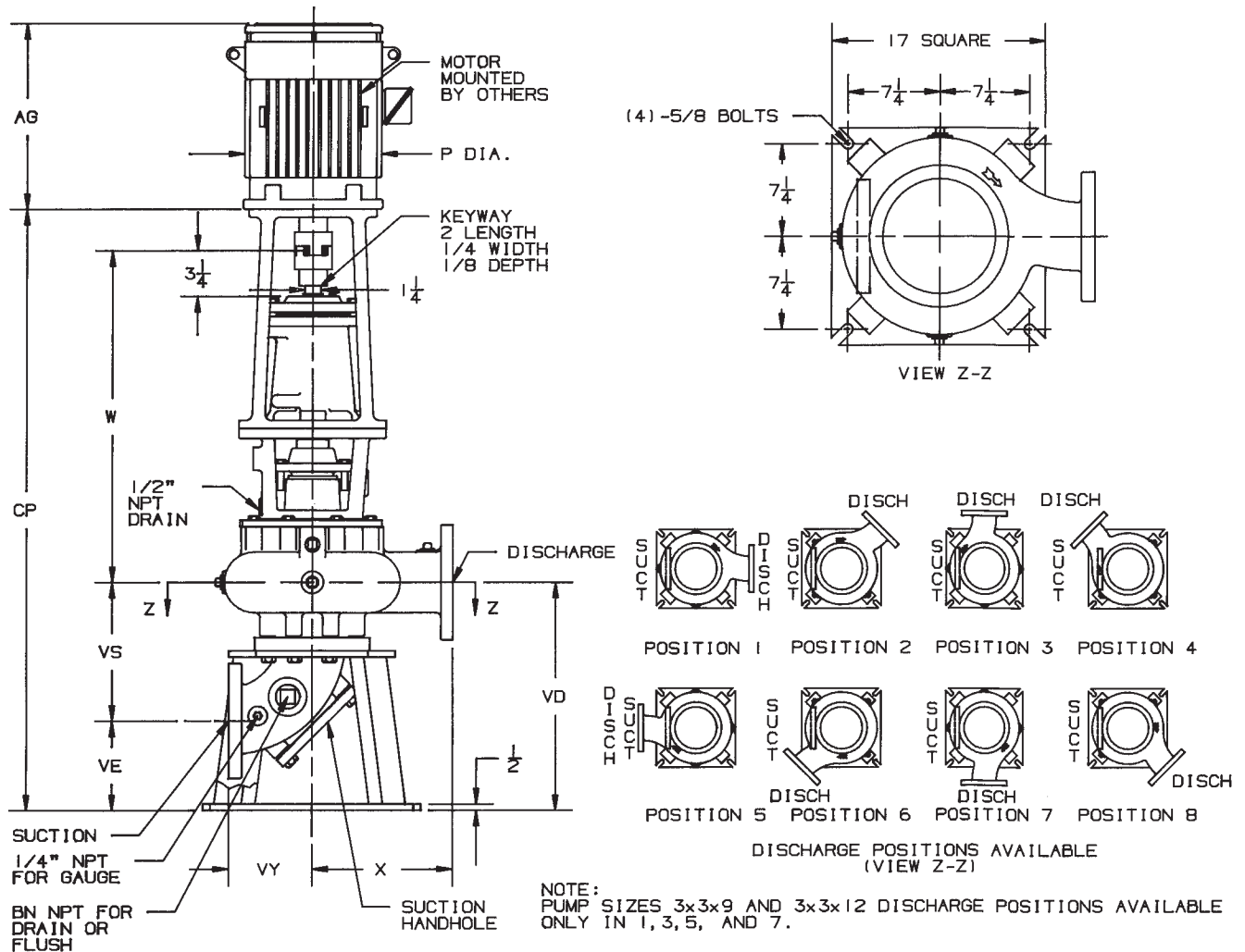
1. ALL DIMENSIONS IN INCHES.
2. DIMENSIONS MAY VARY ± 1/2".
3. NOT FOR CONSTRUCTION PURPOSES UNLESS CERTIFIED.
4. TWO (2) 1/2" NPT CONNECTIONS 180° APART, ON THE STUFFING BOX FOR LUBRICATION PURPOSES ARE FURNISHED AS STANDARD. ON PACKED PUMPS AN ALEMITE FITTING IS PROVIDED IN ONE TAP AND THE REMAINING TAP IS PLUGGED.
5. DISCHARGE POSITION 1 IS FURNISHED AS STANDARD UNLESS SPECIFIED.
6. SUCTION AND DISCHARGE FLANGES ARE AMERICAN STANDARD 125 LBS.
7. CONDUIT BOX IS SHOWN IS APPROXIMATE LOCATION. DIMENSIONS ARE NOT SPECIFIED AS THEY MAY VARY WITH EACH MOTOR MANUFACTURER.

(4) DRILLS ON DIA. FOR FOUNDATION BOLTS.



POWER FRAME	U	V	KEYWAY		
			LENGTH	WIDTH	DEPTH
4C	1 1/4	3 3/16	2	1/4	1/8
5E	2 3/8	6 3/8	4	5/8	5/16

DISCH SUCT CASE BORE	POWER FRAME	W	X	CP
6x6x12	4C	27 1/8	14	51 1/4
6x6x12	5E	38 1/8	14	62 1/4
6x6x15	5E	38 1/8	16	62 1/4



- NOTES:**
1. ALL DIMENSIONS IN INCHES.
 2. DIMENSIONS MAY VARY ± 1/4".
 3. NOT FOR CONSTRUCTION PURPOSES UNLESS CERTIFIED.
 4. TWO (2) 1/2" NPT CONNECTIONS 180° APART, ON THE STUFFING BOX FOR LUBRICATION PURPOSES ARE FURNISHED AS STANDARD. ON PACKED PUMPS AN ALEMITE FITTING IS PROVIDED IN ONE TAP AND THE REMAINING TAP IS PLUGGED.
 5. DISCHARGE POSITION 1 IS FURNISHED AS STANDARD UNLESS SPECIFIED.
 6. SUCTION AND DISCHARGE FLANGES ARE AMERICAN STANDARD 125 LBS.
 7. HEIGHT (AG) AND DIAMETER (P) DIMENSIONS OF MOTOR WILL VARY BASED ON MAKE AND STYLE OF MOTOR. DIMENSIONS SHOWN REFLECT AURORA STANDARD MOTORS. SEE INDIVIDUAL MOTOR SUPPLIER DIMENSIONAL DATA SHEETS FOR YOUR APPLICATION. CONDUIT BOX IS SHOWN IN APPROXIMATE LOCATION. DIMENSIONS ARE NOT SPECIFIED AS THEY VARY WITH EACH MOTOR MANUFACTURER.

NOTE:
PUMP SIZES 3x3x9 AND 3x3x12 DISCHARGE POSITIONS AVAILABLE ONLY IN 1, 3, 5, AND 7.

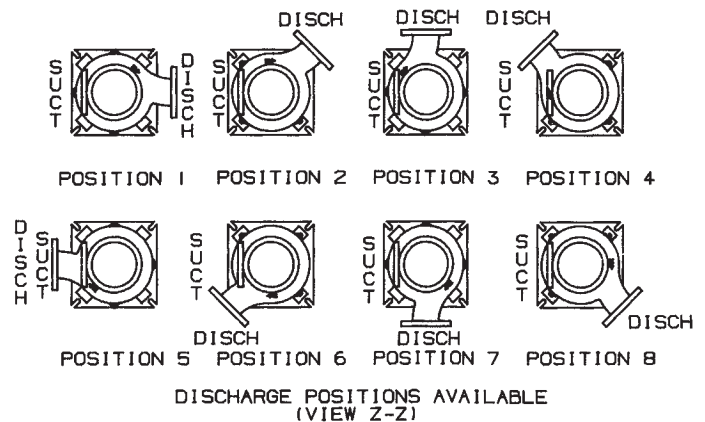
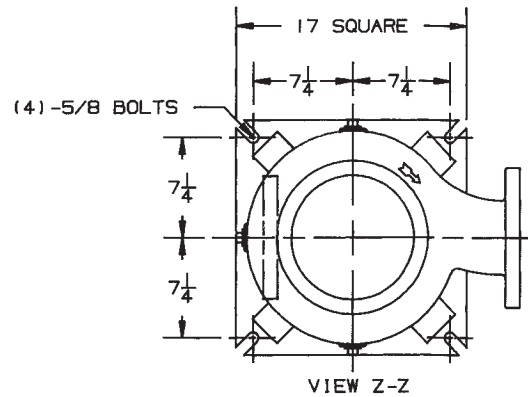
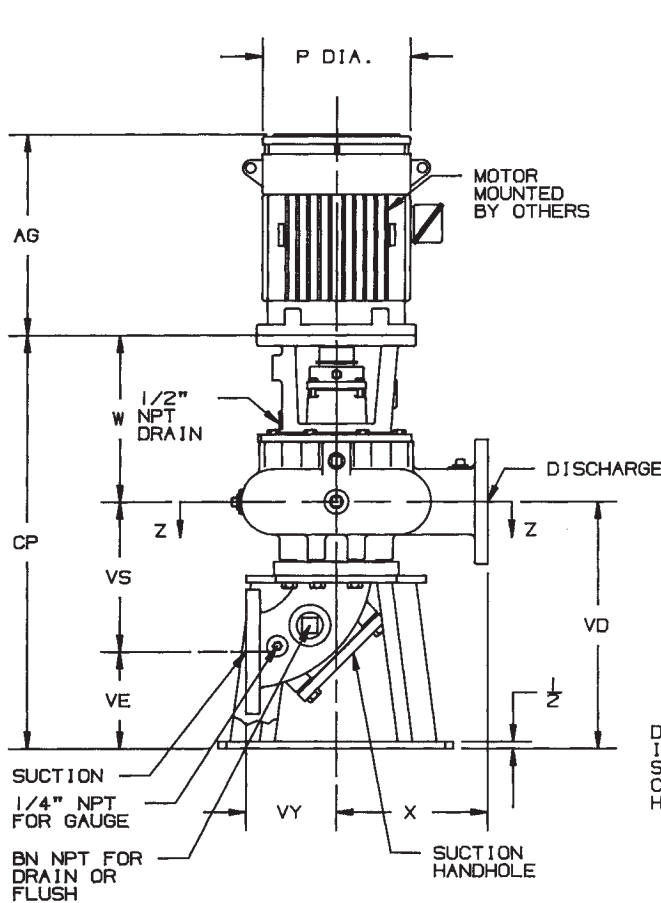
MOTOR FRAME	143HP TO 145HP	182HP TO 184HP	213HP TO 215HP	254HP TO 256HP	284HPH TO 286HPH	324HP TO 326HP	364HP TO 365HP	404HP TO 405HP
P APPROX.	8	10	11	13	16	18	21	22
AG APPROX.	11 12	13 14	16 18	20 21	22 23	25 26	25	28

DISCH SUCT COU BORE	POWER FRAME	BN	VY	W	X	CP	VD	VE	VS
3x3x9	3C	1	6 1/2	25 1/2	10	45 1/2	16 3/8	6 3/4	9 5/8
3x3x12	3C	1	6 1/2	25 5/8	13	45 5/8	16 3/8	6 3/4	9 5/8
4x4x9	3C	1 1/2	6 1/2	26 1/2	11	47	16 7/8	6 15/16	9 15/16
4x4x12	3C	1 1/2	6 1/2	26 5/8	13	47 1/8	16 7/8	6 15/16	9 15/16

ADD 3/4" TO CP FOR PUMPS WITH MOTOR FRAMES 284HPH OR LARGER.

AURORA® MODEL 664A PUMP

3" & 4" PUMPS



DISCHARGE POSITIONS AVAILABLE (VIEW Z-Z)

NOTES:

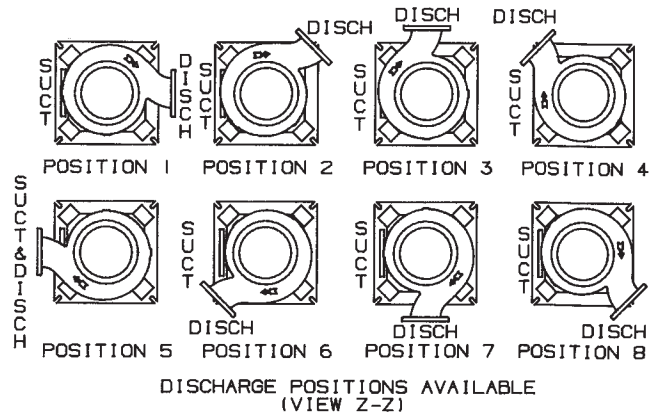
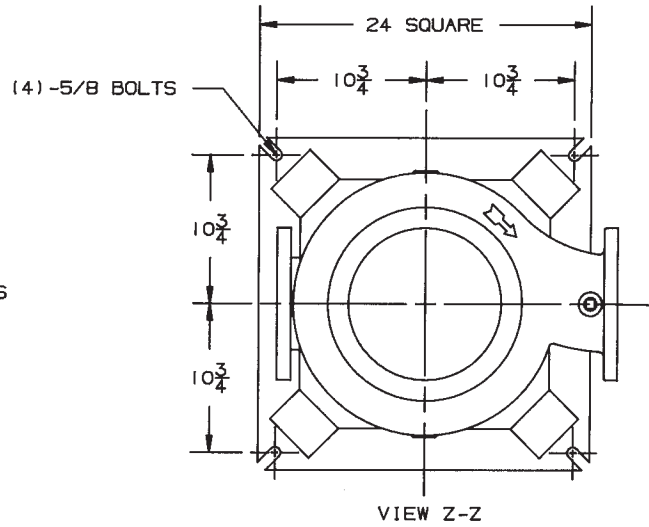
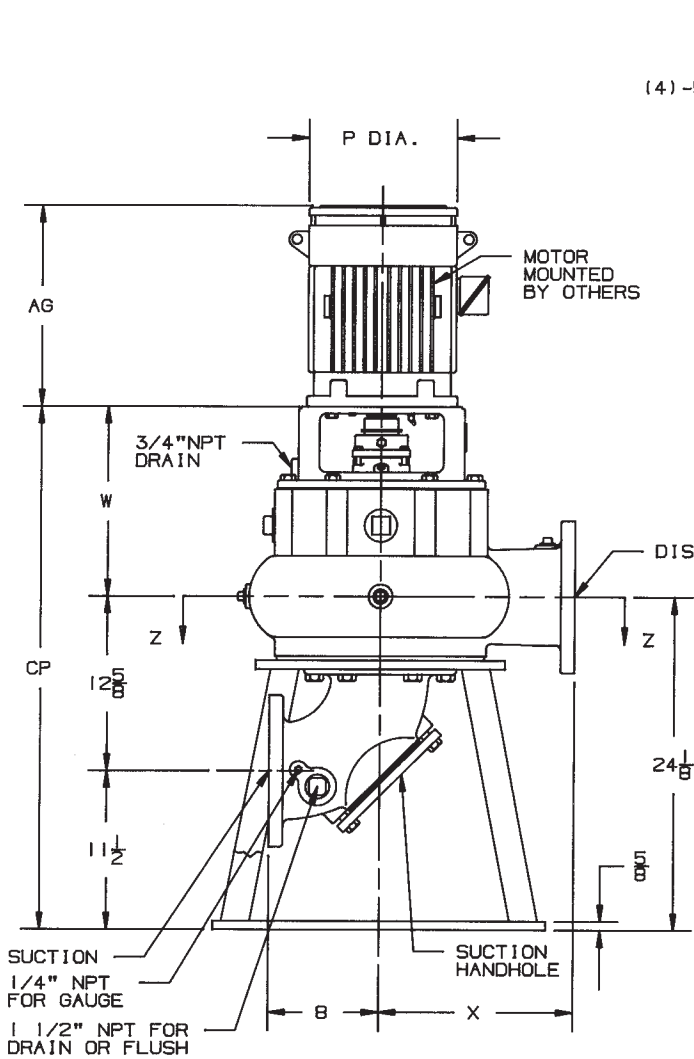
1. ALL DIMENSIONS IN INCHES.
2. DIMENSIONS MAY VARY ± 1/4".
3. NOT FOR CONSTRUCTION PURPOSES UNLESS CERTIFIED.
4. TWO (2) 1/2" NPT CONNECTIONS 180° APART, ON THE STUFFING BOX FOR LUBRICATION PURPOSES ARE FURNISHED AS STANDARD.
5. DISCHARGE POSITION 1 IS FURNISHED AS STANDARD UNLESS SPECIFIED.
6. SUCTION AND DISCHARGE FLANGES ARE AMERICAN STANDARD 125 LBS.
7. HEIGHT (AG) AND DIAMETER (P) DIMENSIONS OF MOTOR WILL VARY BASED ON MAKE AND STYLE OF MOTOR. DIMENSIONS SHOWN REFLECT AURORA STANDARD MOTORS. SEE INDIVIDUAL MOTOR SUPPLIER DIMENSIONAL DATA SHEETS FOR YOUR APPLICATION. CONDUIT BOX IS SHOWN IN APPROXIMATE LOCATION. DIMENSIONS ARE NOT SPECIFIED AS THEY VARY WITH EACH MOTOR MANUFACTURER.

NOTE:

PUMP SIZES 3x3x9 AND 3x3x12 DISCHARGE POSITIONS AVAILABLE ONLY IN 1, 3, 5, AND 7.

MOTOR FRAME	143TCV TO 145TCV	182TCV TO 184TCV	213TCV TO 215TCV	254TCV TO 256TCV	284TCV TO 286TCV	324TCV TO 326TCV	364TCV TO 365TCV	404TCV TO 405TCV
P APPROX.	8	10	11	13	16	18	21	22
AG APPROX.	11 12	13 14	16 18	20 21	22 23	25 26	25	28

DISCH SUCT CASE BORE	BN	VY	W	X	CP	VD	VE	VS
3x3x9	1	6 1/2	15 13/16	10	32 3/16	16 3/8	6 3/4	9 5/8
3x3x12	1	6 1/2	15 15/16	13	32 5/16	16 3/8	6 3/4	9 5/8
4x4x9	1 1/2	6 1/2	16 13/16	11	33 11/16	16 7/8	6 15/16	9 15/16
4x4x12	1 1/2	6 1/2	16 15/16	13	33 13/16	16 7/8	6 15/16	9 15/16

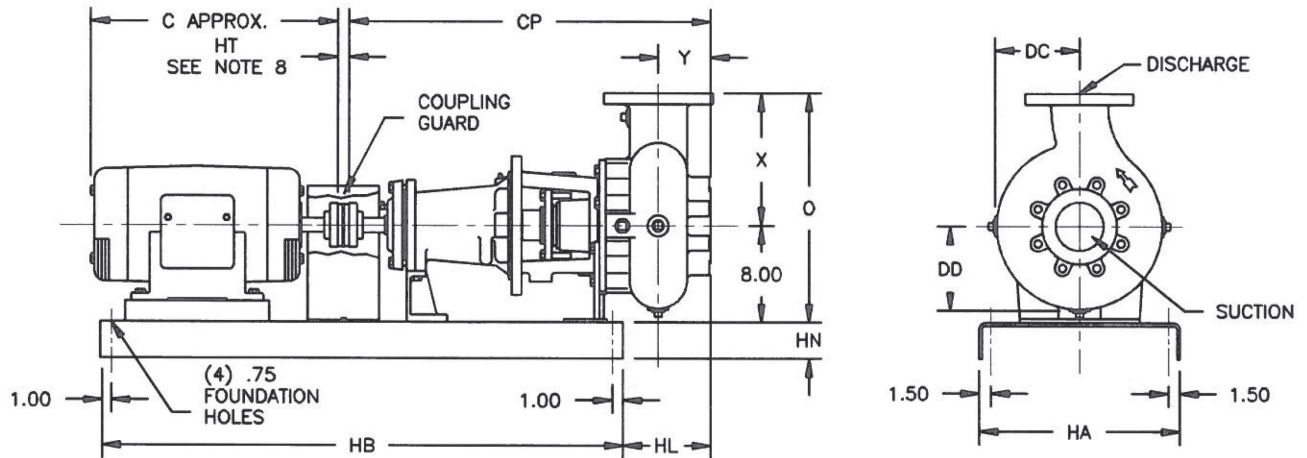


- NOTES:
1. ALL DIMENSIONS IN INCHES.
 2. DIMENSIONS MAY VARY ± 1/4"
 3. NOT FOR CONSTRUCTION PURPOSES UNLESS CERTIFIED.
 4. TWO (2) 1/2" NPT CONNECTIONS 180° APART, ON THE STUFFING BOX FOR LUBRICATION PURPOSES ARE FURNISHED AS STANDARD.
 5. DISCHARGE POSITION 1 IS FURNISHED AS STANDARD UNLESS SPECIFIED.
 6. SUCTION AND DISCHARGE FLANGES ARE AMERICAN STANDARD 125 LBS.
 7. HEIGHT (AG) AND DIAMETER (P) DIMENSIONS OF MOTOR WILL VARY BASED ON MAKE AND STYLE OF MOTOR. DIMENSIONS SHOWN REFLECT AURORA STANDARD MOTORS. SEE INDIVIDUAL MOTOR SUPPLIER DIMENSIONAL DATA SHEETS FOR YOUR APPLICATION. CONDUIT BOX IS SHOWN IN APPROXIMATE LOCATION. DIMENSIONS ARE NOT SPECIFIED AS THEY VARY WITH EACH MOTOR MANUFACTURER.

DISCH SUCTION CASE BORE MOTOR SHAFT EXT. TYPE	W	X	CP	MOTOR	143TCV	182TCV	213TCV	254TCV	284TCV	324TCV	364TCV	404TCV
				FRAME	TO	TO	TO	TO	TO	TO	TO	
6x6x12	17 9/16	14	41 11/16	P	145TCV	184TCV	215TCV	256TCV	286TCV	326TCV	365TCV	405TCV
6x6x12	20 11/16	14	44 13/16	APPROX.	8	10	11	13	16	18	21	22
6x6x15	20 11/16	16	44 13/16	AG	11	12	13	14	16	18	20	21
				APPROX.	11	12	13	14	16	18	20	21
					22	23	25	26	25	28		

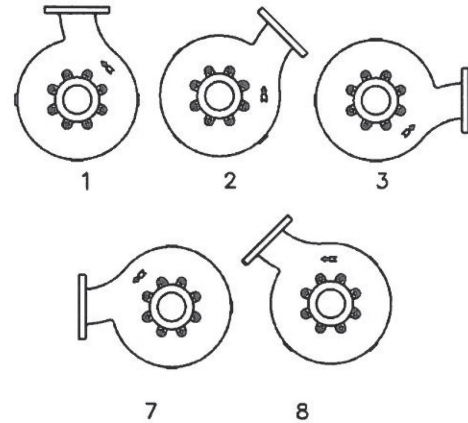
AURORA® MODEL 661A PUMP

3" & 4" PUMPS
FORMED STEEL BASE



NOTES:

1. ALL DIMENSIONS IN INCHES.
2. DIMENSIONS MAY VARY $\pm .25"$.
3. NOT FOR CONSTRUCTION PURPOSES UNLESS CERTIFIED.
4. TWO (2) 1/2" NPT CONNECTIONS 180° APART, ON THE STUFFING BOX FOR LUBRICATION PURPOSES ARE FURNISHED AS STANDARD. ON PACKED PUMPS AN ALEMITE FITTING IS PROVIDED IN ONE TAP AND THE REMAINING TAP IS PLUGGED.
5. DISCHARGE POSITION 1 IS FURNISHED AS STANDARD UNLESS SPECIFIED.
6. SUCTION AND DISCHARGE FLANGES ARE AMERICAN STANDARD 125 LBS.
7. CONDUIT BOX IS SHOWN IS APPROXIMATE LOCATION. DIMENSIONS ARE NOT SPECIFIED AS THEY MAY VARY WITH EACH MOTOR MANUFACTURER.
8. STANDARD COUPLING ILLUSTRATED. "HT" DIMENSION .13"-2.50". SPACER COUPLING "HT" DIMENSION IS 3.50"-9.00".
9. REFER TO PAGE 251.1 FOR STANDARD COUPLING BASE NUMBER SELECTION. REFER TO PAGE 251.2 FOR SPACER COUPLING BASE NUMBER SELECTION.

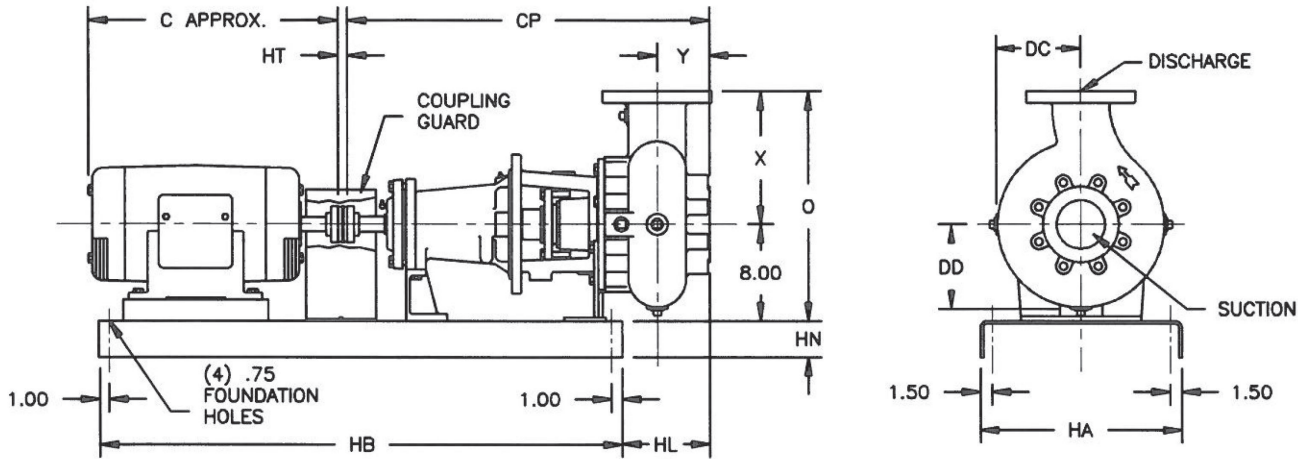


DISCHARGE POSITIONS AVAILABLE
(VIEWED FROM SUCTION END)

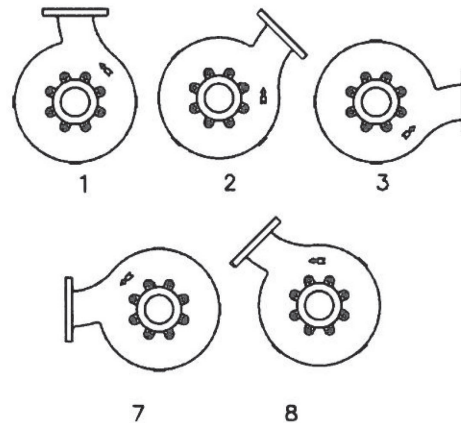
DISCH SUCT BORE CASE	FRAME POWER	HL	O	X	Y	CP	DC	DD
3x3x9	3C	7.00	18.00	10.00	3.13	28.63	6.75	6.75
3x3x12	3C	7.13	21.00	13.00	3.13	28.75	8.38	8.38
4x4x9	3C	8.25	19.00	11.00	3.38	29.88	7.25	7.25
4x4x12	3C	8.38	21.00	13.00	3.38	30.00	8.88	8.88

BASE	HA	HB	HN
1	15.00	38.00	3.38
2	15.00	44.00	3.38
3	18.00	44.00	4.00
4	18.00	48.00	4.00
5	18.00	54.00	4.00
6	18.00	60.00	4.00





- NOTES:
 1. ALL DIMENSIONS IN INCHES.
 2. DIMENSIONS MAY VARY ± .25".
 3. NOT FOR CONSTRUCTION PURPOSES UNLESS CERTIFIED.
 4. THIS PAGE IS FOR BASE DIMENSIONS FOR ALL OTHER DIMENSIONS REFER TO PAGE 251.



DISCHARGE POSITIONS AVAILABLE
(VIEWED FROM SUCTION END)

BASE	HA	HB	HN
1	15.00	38.00	3.38
2	15.00	44.00	3.38
3	18.00	44.00	4.00
4	18.00	48.00	4.00
5	18.00	54.00	4.00
6	18.00	60.00	4.00

DISCH SUCT BORE CASE	FRAME POWER	FRAME	FRAME																						
			C	13	13	13	14	16	18	21	23	24	22	25	24	26	25	28	26	29	27	30	28	33	30
3x3x9	3C		1	1	1	1	1	1	1	3	3	4	4	4	4	4	4	4	5	5					
3x3x12	3C		1	1	1	1	1	1	3	3	4	4	4	4	4	4	4	5	5	5	5	5			
4x4x9	3C		1	1	1	1	1	1	3	3	4	4	4	4	4	4	4	5	5	5	5	5			
4x4x12	3C		1	1	1	1	1	1	3	3	4	4	4	4	4	4	4	5	5	5	5	5	5		

AURORA® MODEL 661A PUMP

3" & 4" PUMPS

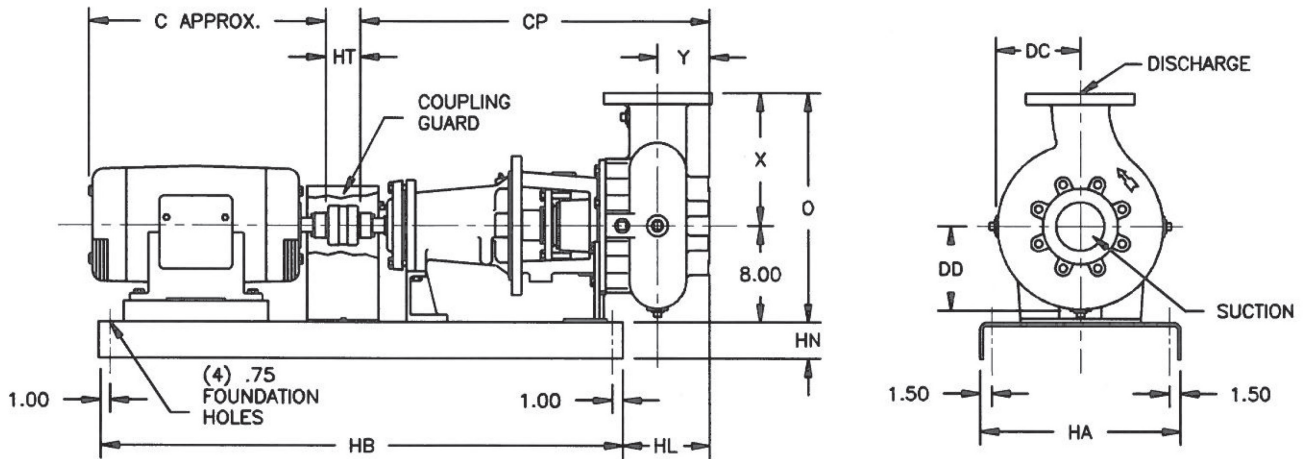
FORMED STEEL BASE

BASE SELECTIONS FOR STANDARD COUPLING

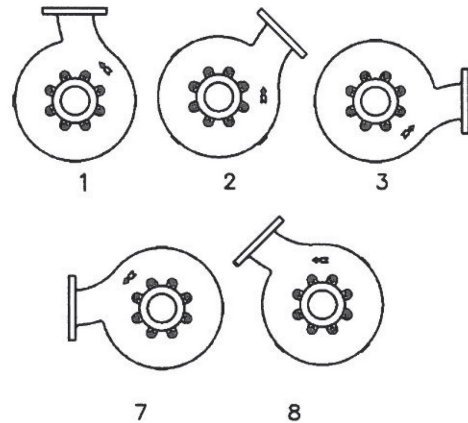
Date **September 2017**

Supersedes Section 660 Page 352

Dated November 1988



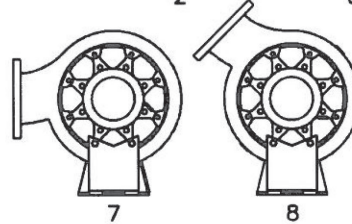
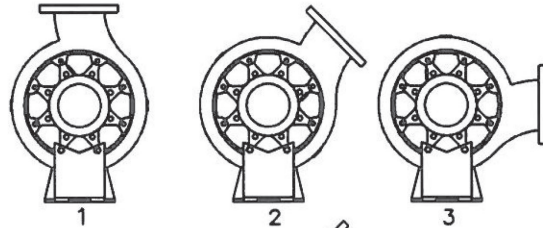
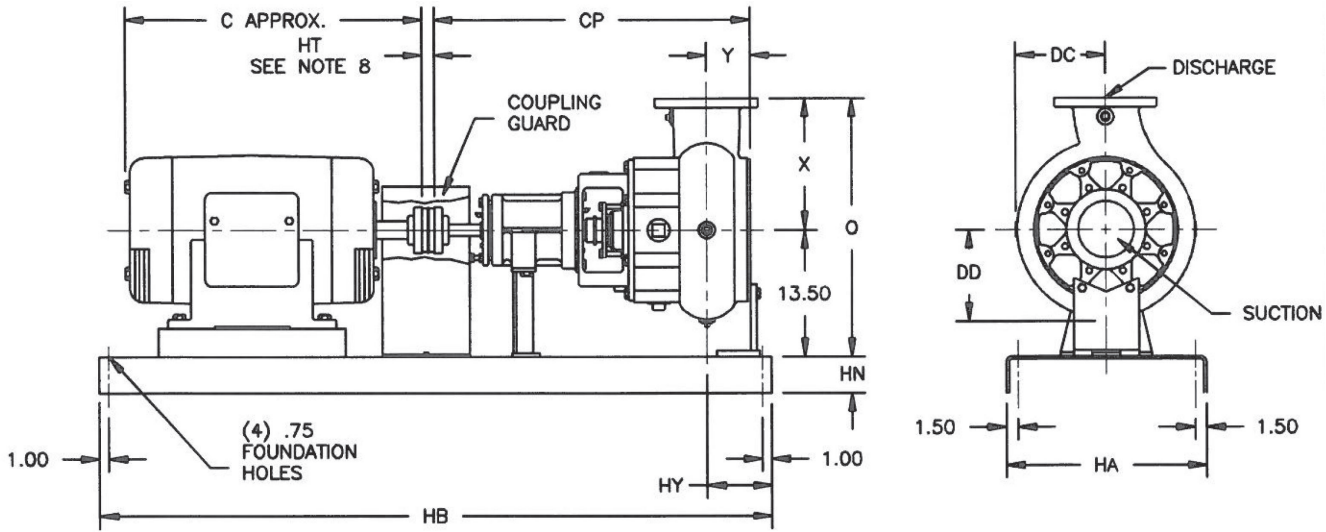
- NOTES:
1. ALL DIMENSIONS IN INCHES.
 2. DIMENSIONS MAY VARY $\pm .25"$.
 3. NOT FOR CONSTRUCTION PURPOSES UNLESS CERTIFIED.
 4. THIS PAGE IS FOR BASE DIMENSIONS FOR ALL OTHER DIMENSIONS REFER TO PAGE 251.



DISCHARGE POSITIONS AVAILABLE
(VIEWED FROM SUCTION END)

BASE	HA	HB	HN
1	15.00	38.00	3.38
2	15.00	44.00	3.38
3	18.00	44.00	4.00
4	18.00	48.00	4.00
5	18.00	54.00	4.00
6	18.00	60.00	4.00

DISCH SUCT BORE CASE	FRAME POWER	FRAME																							
		C	143T	145T	182T	184T	213T	215T	254T	256T	284T	284TS	286T	286TS	324T	324TS	326T	326TS	364T	364TS	365T	365TS	404T	404TS	
3x3x9	3C		2	2	2	2	2	2	4	4	5	5	5	5	5	5	6	6							
3x3x12	3C		2	2	2	2	2	4	4	5	5	5	5	5	5	6	6	6	6	6	6				
4x4x9	3C		2	2	2	2	2	4	4	5	5	5	5	5	5	6	6								
4x4x12	3C		2	2	2	2	2	4	4	5	5	5	5	5	5	6	6	6	6	6	6				



DISCHARGE POSITIONS AVAILABLE
(VIEWED FROM SUCTION END)

NOTES:

1. ALL DIMENSIONS IN INCHES.
2. DIMENSIONS MAY VARY ± .25".
3. NOT FOR CONSTRUCTION PURPOSES UNLESS CERTIFIED.
4. TWO (2) 1/2" NPT CONNECTIONS 180° APART, ON THE STUFFING BOX FOR LUBRICATION PURPOSES ARE FURNISHED AS STANDARD. ON PACKED PUMPS AN ALEMITE FITTING IS PROVIDED IN ONE TAP AND THE REMAINING TAP IS PLUGGED.
5. DISCHARGE POSITION 1 IS FURNISHED AS STANDARD UNLESS SPECIFIED.
6. SUCTION AND DISCHARGE FLANGES ARE AMERICAN STANDARD 125 LBS.
7. CONDUIT BOX IS SHOWN IS APPROXIMATE LOCATION. DIMENSIONS ARE NOT SPECIFIED AS THEY MAY VARY WITH EACH MOTOR MANUFACTURER.
8. STANDARD COUPLING ILLUSTRATED. "HT" DIMENSION .13"-2.50". SPACER COUPLING "HT" DIMENSION IS 3.50"-9.00".
9. REFER TO PAGE 252.1 FOR STANDARD COUPLING BASE NUMBER SELECTION. REFER TO PAGE 252.2 FOR SPACER COUPLING BASE NUMBER SELECTION.

BASE	HA	HB	HN
5	18.00	54.00	4.00
6	18.00	60.00	4.00
7	18.00	68.00	4.00
8	18.00	72.00	4.00
9	18.00	80.00	4.00

DISCH SUCT BORE CASE	FRAME POWER	O	X	Y	CP	DC	DD	HY
6x6x12	4C	27.50	14.00	4.63	31.75	9.88	9.88	5.25
6x6x12	5F	27.50	14.00	4.63	42.75	9.88	9.88	5.25
6x6x15	5E	29.50	16.00	4.63	42.75	11.06	11.06	5.25

AURORA® MODEL 661A PUMP

6" PUMPS

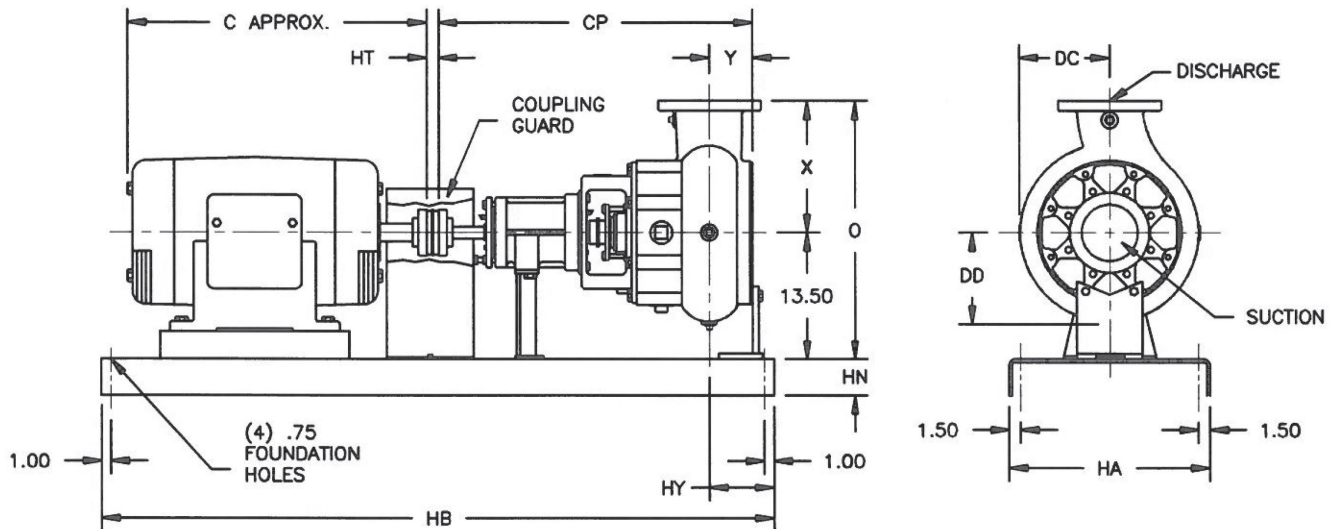
FORMED STEEL BASE

BASE SELECTIONS FOR STANDARD COUPLING

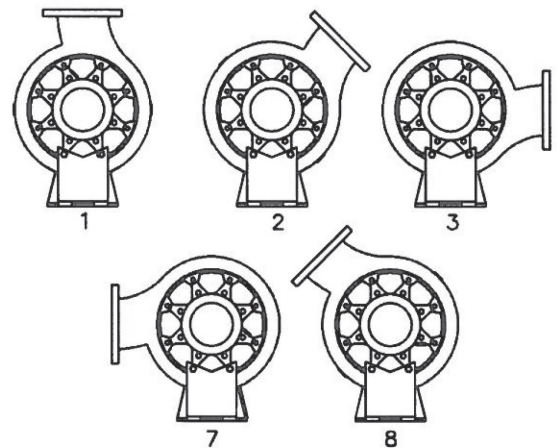
Date **September 2017**

Supersedes Section 660 Page 351

Dated November 1988



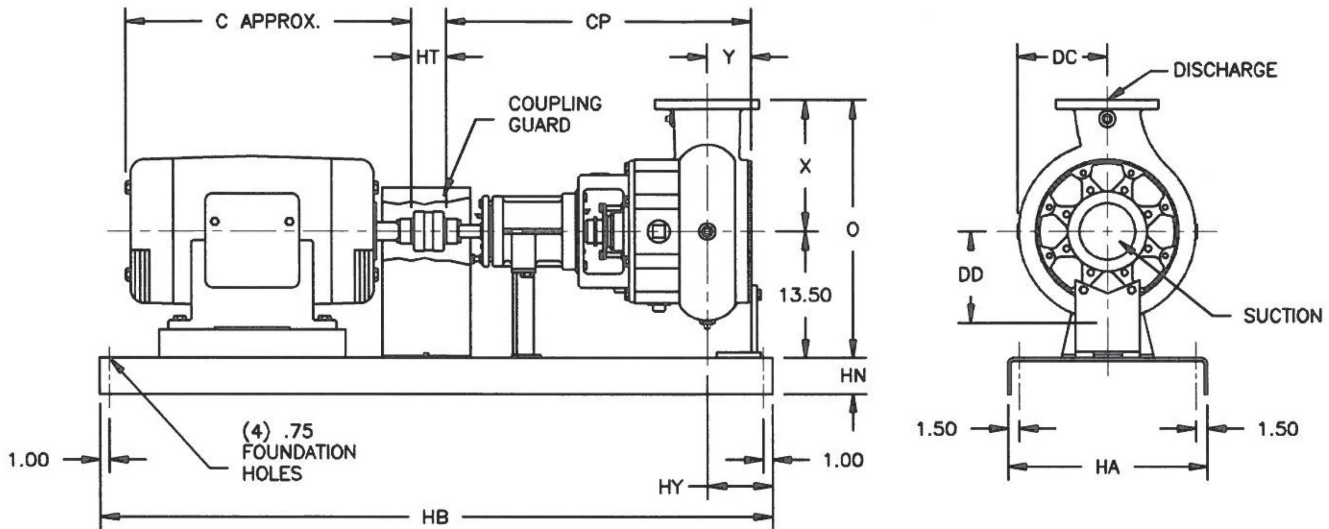
- NOTES:
 1. ALL DIMENSIONS IN INCHES.
 2. DIMENSIONS MAY VARY ± .25".
 3. NOT FOR CONSTRUCTION PURPOSES UNLESS CERTIFIED.
 4. THIS PAGE IS FOR BASE DIMENSIONS FOR ALL OTHER DIMENSIONS REFER TO PAGE 252.



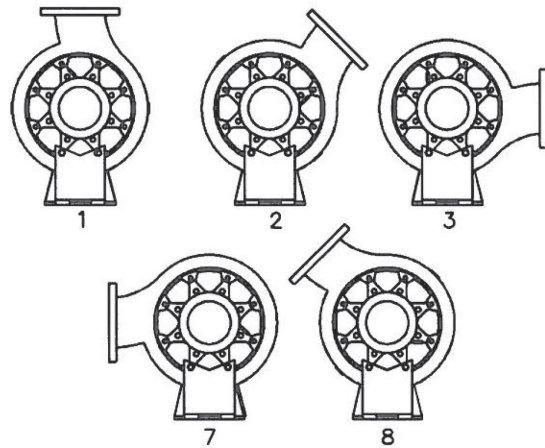
DISCHARGE POSITIONS AVAILABLE
(VIEWED FROM SUCTION END)

BASE	HA	HB	HN
5	18.00	54.00	4.00
6	18.00	60.00	4.00
7	18.00	68.00	4.00
8	18.00	72.00	4.00
9	18.00	80.00	4.00

DISCH SUCT BORE CASE	FRAME POWER	FRAME	254T	256T	284T	284TS	286T	286TS	324T	324TS	326T	326TS	364T	364TS	365T	365TS	404T	404TS	405T	405TS	444T	444TS	445T	445TS	
		C	21	23	24	22	25	24	26	25	28	26	29	27	30	28	33	30	34	31	38	34	40	36	
6x6x12	4C		5	5	6	6	6	6	6	6	6	6	7	7	7	7									
6x6x12	5E		6	6	6	6	6	6	8	8	8	8	9	9	9	9									
6x6x15	5E		7	7	7	7	7	7	8	8	8	8	8	8	8	8									



- NOTES:
 1. ALL DIMENSIONS IN INCHES.
 2. DIMENSIONS MAY VARY ± .25".
 3. NOT FOR CONSTRUCTION PURPOSES UNLESS CERTIFIED.
 4. THIS PAGE IS FOR BASE DIMENSIONS FOR ALL OTHER DIMENSIONS REFER TO PAGE 252.



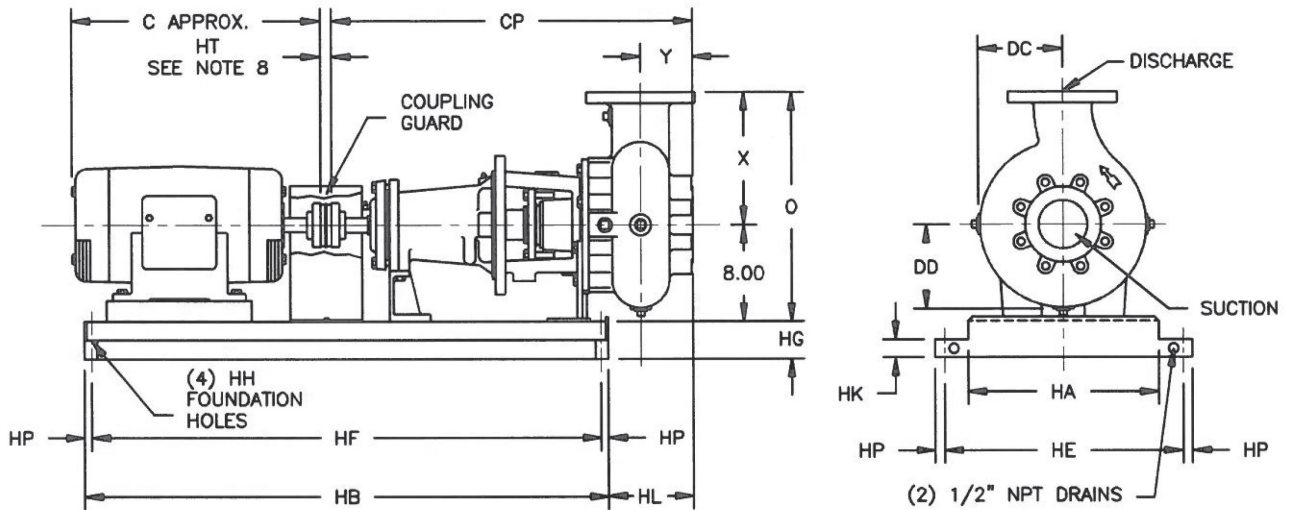
DISCHARGE POSITIONS AVAILABLE
(VIEWED FROM SUCTION END)

BASE	HA	HB	HN
5	18.00	54.00	4.00
6	18.00	60.00	4.00
7	18.00	68.00	4.00
8	18.00	72.00	4.00
9	18.00	80.00	4.00

DISCH SUCT BORE CASE	FRAME POWER	FRAME																						
		C	254T	256T	284T	284TS	286T	286TS	324T	324TS	326T	326TS	364T	364TS	365T	365TS	404T	404TS	405T	405TS	444T	444TS	445T	445TS
6x6x12	4C	21	23	24	22	25	24	26	25	28	26	29	27	30	28	33	30	34	31	38	34	40	36	
6x6x12	5C	28	28	28	28	28	28	28	28	28	28	28	28	28	28	28	28	28	28	28	28	28	28	
6x6x12	5C	28	28	28	28	28	28	28	28	28	28	28	28	28	28	28	28	28	28	28	28	28	28	

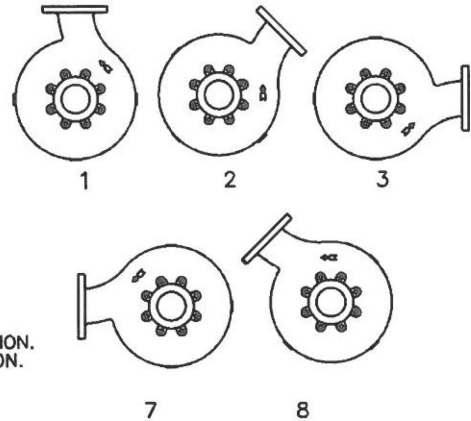
AURORA® MODEL 661A PUMP

3" & 4" PUMPS
DRIP RIM STEEL BASE



NOTES:

1. ALL DIMENSIONS IN INCHES.
2. DIMENSIONS MAY VARY ± .25".
3. NOT FOR CONSTRUCTION PURPOSES UNLESS CERTIFIED.
4. TWO (2) 1/2" NPT CONNECTIONS 180° APART, ON THE STUFFING BOX FOR LUBRICATION PURPOSES ARE FURNISHED AS STANDARD. ON PACKED PUMPS AN ALEMITE FITTING IS PROVIDED IN ONE TAP AND THE REMAINING TAP IS PLUGGED.
5. DISCHARGE POSITION 1 IS FURNISHED AS STANDARD UNLESS SPECIFIED.
6. SUCTION AND DISCHARGE FLANGES ARE AMERICAN STANDARD 125 LBS.
7. CONDUIT BOX IS SHOWN IS APPROXIMATE LOCATION. DIMENSIONS ARE NOT SPECIFIED AS THEY MAY VARY WITH EACH MOTOR MANUFACTURER.
8. STANDARD COUPLING ILLUSTRATED, "HT" DIMENSION .13"-2.50". SPACER COUPLING "HT" DIMENSION IS 3.50"-9.00".
9. REFER TO PAGE 253.1 FOR STANDARD COUPLING BASE NUMBER SELECTION. REFER TO PAGE 253.2 FOR SPACER COUPLING BASE NUMBER SELECTION.

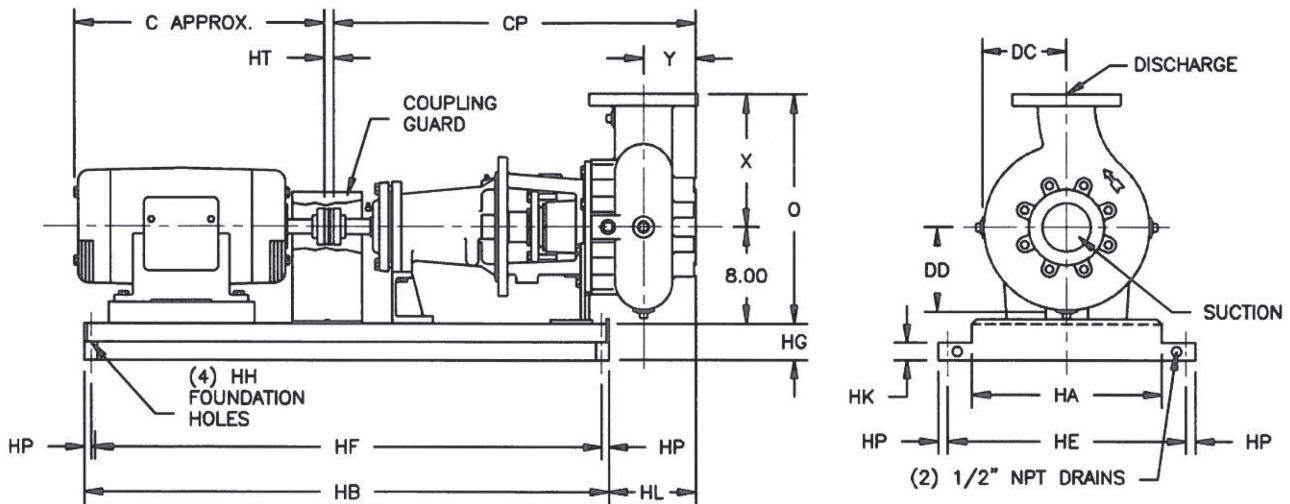


DISCHARGE POSITIONS AVAILABLE
(VIEWED FROM SUCTION END)

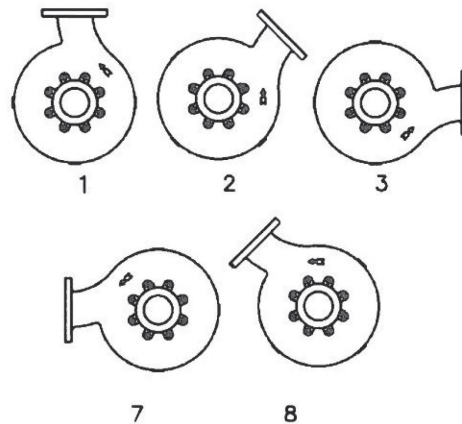
BASE	SIZE	HA	HB	HE	HF	HG	HH	HK	HP
5	11x36	11.00	36.50	15.88	35.13	3.00	.88	1.50	.69
6	11x42	11.00	42.50	15.88	41.13	3.00	.88	1.50	.69
8	14x42	14.00	42.50	19.00	41.00	3.00	1.00	1.50	.75
9	14x48	14.00	48.50	19.00	47.00	3.00	1.00	1.50	.75
10	14x56	14.00	56.50	19.00	55.00	3.00	1.00	1.50	.75
11	18x46	18.00	46.50	25.13	44.88	4.00	1.13	2.00	.81
12	18x54	18.00	54.50	25.13	52.88	4.00	1.13	2.00	.81
13	18x64	18.00	64.50	25.13	62.88	4.00	1.13	2.00	.81
14	18x72	18.00	72.50	25.13	70.88	4.00	1.13	2.00	.81
15	22x54	22.00	54.50	29.13	52.88	4.50	1.13	2.00	.81

DISCH	SUCT	BORE	CASE	FRAME	POWER	HL	O	X	Y	CP	DC	DD
3x3	3x9	3	C	3	C	6.50	18.00	10.00	3.13	28.63	6.75	6.75
3x3	3x12	3	C	3	C	6.63	21.00	13.00	3.13	28.75	8.38	8.38
4x4	4x9	4	C	3	C	7.75	19.00	11.00	3.38	29.88	7.25	7.25
4x4	4x12	4	C	3	C	7.88	21.00	13.00	3.38	30.00	8.88	8.88





- NOTES:
1. ALL DIMENSIONS IN INCHES.
 2. DIMENSIONS MAY VARY $\pm .25"$.
 3. NOT FOR CONSTRUCTION PURPOSES UNLESS CERTIFIED.
 4. THIS PAGE IS FOR BASE DIMENSIONS FOR ALL OTHER DIMENSIONS REFER TO PAGE 253.



DISCHARGE POSITIONS AVAILABLE
(VIEWED FROM SUCTION END)

BASE	SIZE	HA	HB	HE	HF	HG	HH	HK	HP
5	11x36	11.00	36.50	15.88	35.13	3.00	.88	1.50	.69
6	11x42	11.00	42.50	15.88	41.13	3.00	.88	1.50	.69
8	14x42	14.00	42.50	19.00	41.00	3.00	1.00	1.50	.75
9	14x48	14.00	48.50	19.00	47.00	3.00	1.00	1.50	.75
10	14x56	14.00	56.50	19.00	55.00	3.00	1.00	1.50	.75
11	18x46	18.00	46.50	25.13	44.88	4.00	1.13	2.00	.81
12	18x54	18.00	54.50	25.13	52.88	4.00	1.13	2.00	.81
13	18x64	18.00	64.50	25.13	62.88	4.00	1.13	2.00	.81
14	18x72	18.00	72.50	25.13	70.88	4.00	1.13	2.00	.81
15	22x54	22.00	54.50	29.13	52.88	4.50	1.13	2.00	.81

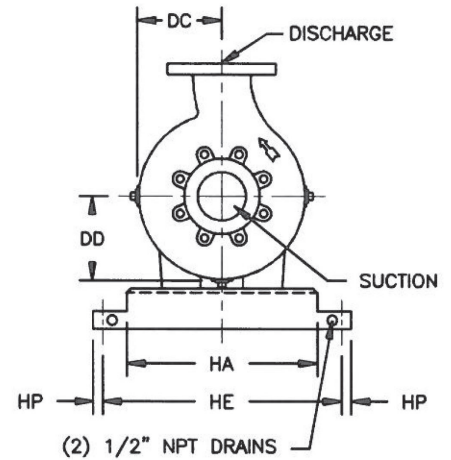
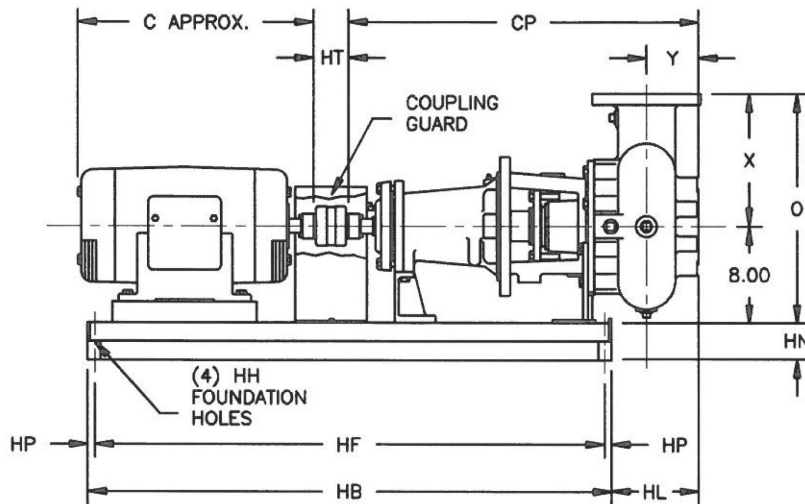
DISCH SUCTION BORE CASE	FRAME POWER	FRAME	FRAME																					
			143T	145T	182T	184T	213T	215T	254T	256T	284T	284TS	286T	286TS	324T	324TS	326T	326TS	364T	364TS	365T	365TS	404T	404TS
3x3x9	3C	C	13	13	13	14	16	18	21	23	24	22	25	24	26	25	28	26	29	27	30	28	33	30
3x3x12	3C		5	5	5	5	6	6	9	9	9	9	9	9	12	12	12	12	12	12	12	12	15	15
4x4x9	3C		5	5	5	5	6	6	9	9	9	9	9	9	12	12	12	12						
4x4x12	3C		5	5	5	5	6	6	9	9	9	9	9	9	12	12	12	12	12	12	12	12	15	15

AURORA® MODEL 661A PUMP

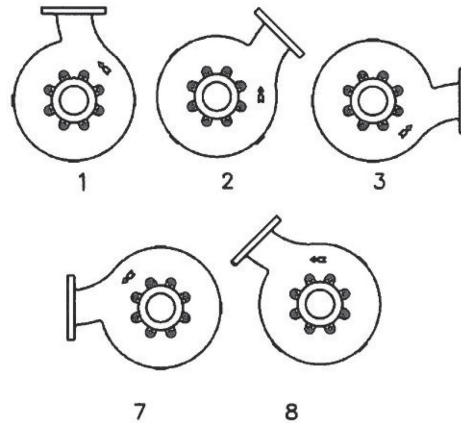
3" & 4" PUMPS

DRIP RIM STEEL BASE

BASE SELECTIONS FOR OPTIONAL SPACER COUPLING



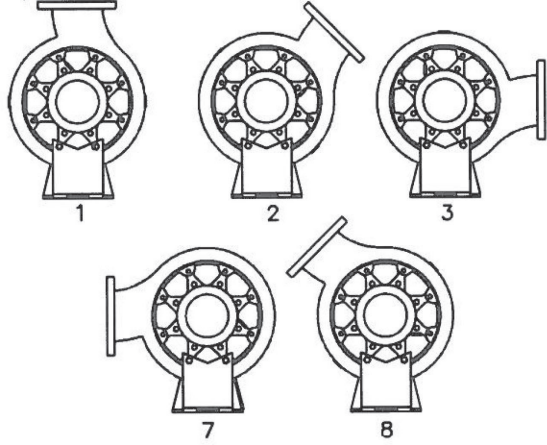
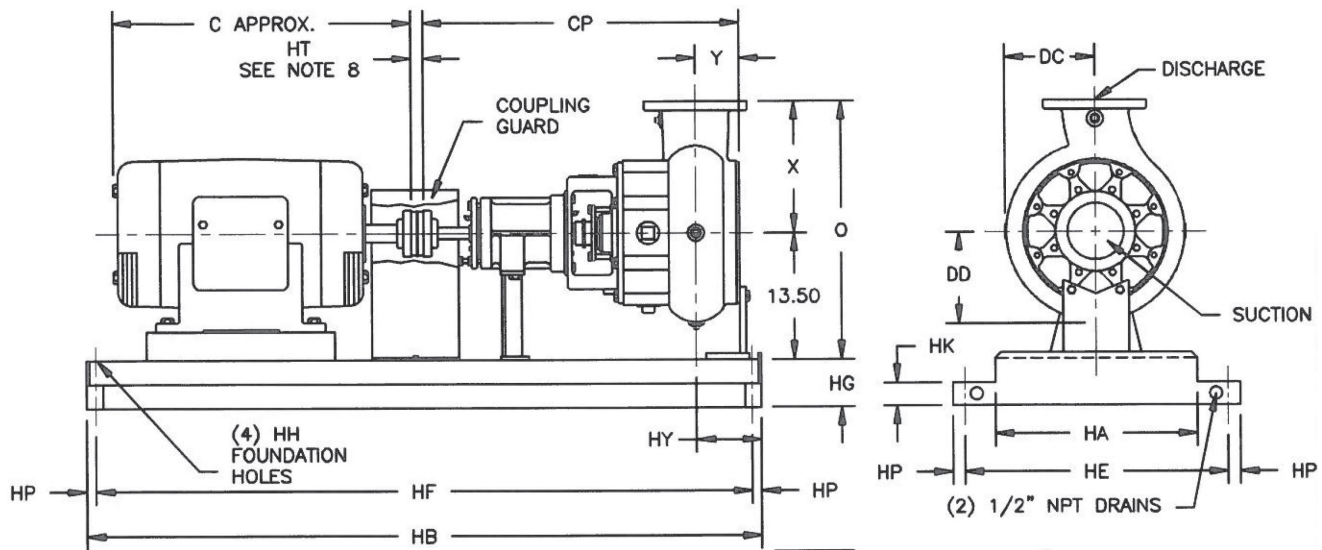
- NOTES:
 1. ALL DIMENSIONS IN INCHES.
 2. DIMENSIONS MAY VARY ± .25\"/>



DISCHARGE POSITIONS AVAILABLE
(VIEWED FROM SUCTION END)

BASE	SIZE	HA	HB	HE	HF	HG	HH	HK	HP
5	11x36	11.00	36.50	15.88	35.13	3.00	.88	1.50	.69
6	11x42	11.00	42.50	15.88	41.13	3.00	.88	1.50	.69
8	14x42	14.00	42.50	19.00	41.00	3.00	1.00	1.50	.75
9	14x48	14.00	48.50	19.00	47.00	3.00	1.00	1.50	.75
10	14x56	14.00	56.50	19.00	55.00	3.00	1.00	1.50	.75
11	18x46	18.00	46.50	25.13	44.88	4.00	1.13	2.00	.81
12	18x54	18.00	54.50	25.13	52.88	4.00	1.13	2.00	.81
13	18x64	18.00	64.50	25.13	62.88	4.00	1.13	2.00	.81
14	18x72	18.00	72.50	25.13	70.88	4.00	1.13	2.00	.81
15	22x54	22.00	54.50	29.13	52.88	4.50	1.13	2.00	.81

DISCH SUCT BORE CASE	FRAME POWER	FRAME																						
		C	13	13	13	14	16	18	21	23	24	22	25	24	26	25	28	26	29	27	30	28	33	30
3x3x9	3C	6	6	6	6	6	6	9	9	12	12	12	12	12	12	12	12	12	12	12	12	12	12	12
3x3x12	3C	5	5	5	5	6	6	9	9	9	9	9	9	12	12	12	12	12	12	12	12	12	15	15
4x4x9	3C	6	6	6	6	6	6	9	9	12	12	12	12	12	12	12	12	12	12	12	12	12	12	12
4x4x12	3C	5	5	5	5	6	6	9	9	9	9	9	9	12	12	12	12	12	12	12	12	12	15	15



DISCHARGE POSITIONS AVAILABLE (VIEWED FROM SUCTION END)

- NOTES:
1. ALL DIMENSIONS IN INCHES.
 2. DIMENSIONS MAY VARY $\pm .25"$.
 3. NOT FOR CONSTRUCTION PURPOSES UNLESS CERTIFIED.
 4. TWO (2) 1/2" NPT CONNECTIONS 180° APART, ON THE STUFFING BOX FOR LUBRICATION PURPOSES ARE FURNISHED AS STANDARD. ON PACKED PUMPS AN ALEMITE FITTING IS PROVIDED IN ONE TAP AND THE REMAINING TAP IS PLUGGED.
 5. DISCHARGE POSITION 1 IS FURNISHED AS STANDARD UNLESS SPECIFIED.
 6. SUCTION AND DISCHARGE FLANGES ARE AMERICAN STANDARD 125 LBS.
 7. CONDUIT BOX IS SHOWN IS APPROXIMATE LOCATION. DIMENSIONS ARE NOT SPECIFIED AS THEY MAY VARY WITH EACH MOTOR MANUFACTURER.
 8. STANDARD COUPLING ILLUSTRATED. "HT" DIMENSION .13"-2.50". SPACER COUPLING "HT" DIMENSION IS 3.50"-9.00".
 9. REFER TO PAGE 254.1 FOR STANDARD COUPLING BASE NUMBER SELECTION. REFER TO PAGE 254.2 FOR SPACER COUPLING BASE NUMBER SELECTION.

BASE	SIZE	HA	HB	HE	HF	HG	HH	HK	HP
10	14x56	14.00	56.50	19.00	55.00	3.00	1.00	1.50	.75
11	18x46	18.00	46.50	25.13	44.88	4.00	1.13	2.00	.81
12	18x54	18.00	54.50	25.13	52.88	4.00	1.13	2.00	.81
13	18x64	18.00	64.50	25.13	62.88	4.00	1.13	2.00	.81
14	18x72	18.00	72.50	25.13	70.88	4.00	1.13	2.00	.81
15	22x54	22.00	54.50	29.13	52.88	4.50	1.13	2.00	.81
18	22x82	22.00	82.50	29.13	80.88	4.50	1.13	2.00	.81

DISCH SUCT BORE CASE	FRAME POWER	O	X	Y	CP	DC	DD	HY
6x6x12	4C	27.50	14.00	4.63	31.75	9.88	9.88	5.25
6x6x12	5E	27.50	14.00	4.63	42.75	9.88	9.88	5.25
6x6x15	5E	29.50	16.00	4.63	42.75	11.06	11.06	5.25

AURORA® MODEL 661A PUMP

6" PUMPS

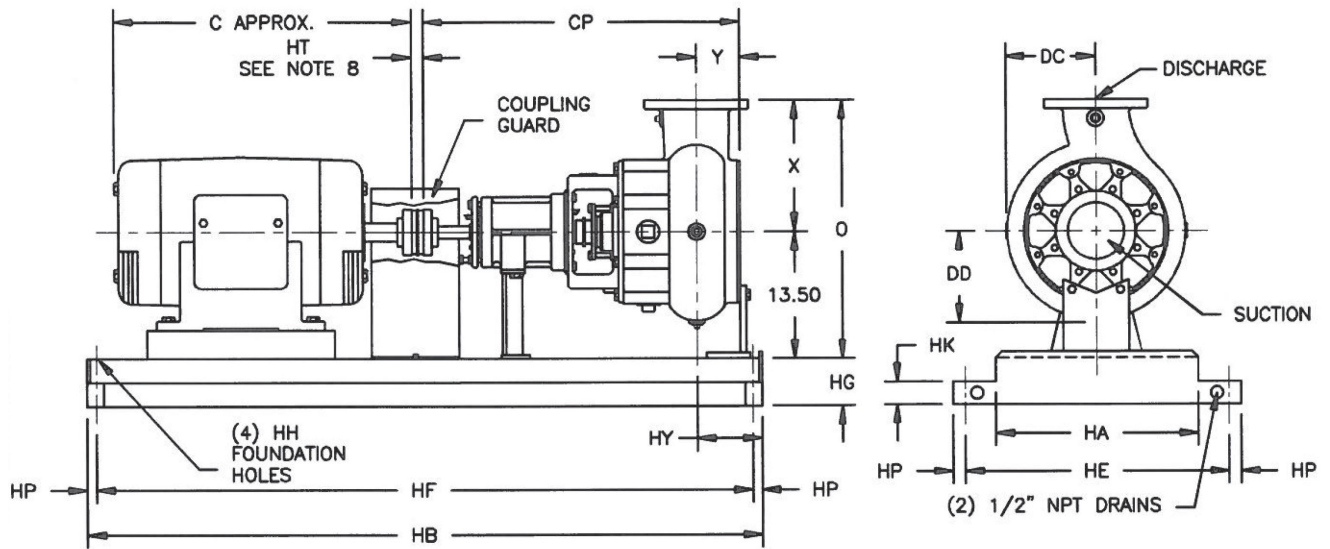
DRIP RIM STEEL BASE

BASE SELECTIONS FOR STANDARD COUPLING

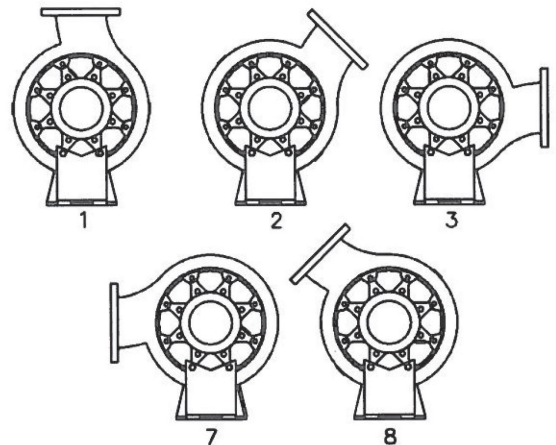
Date **September 2017**

Supersedes Section 660 Page 354

Dated November 1988



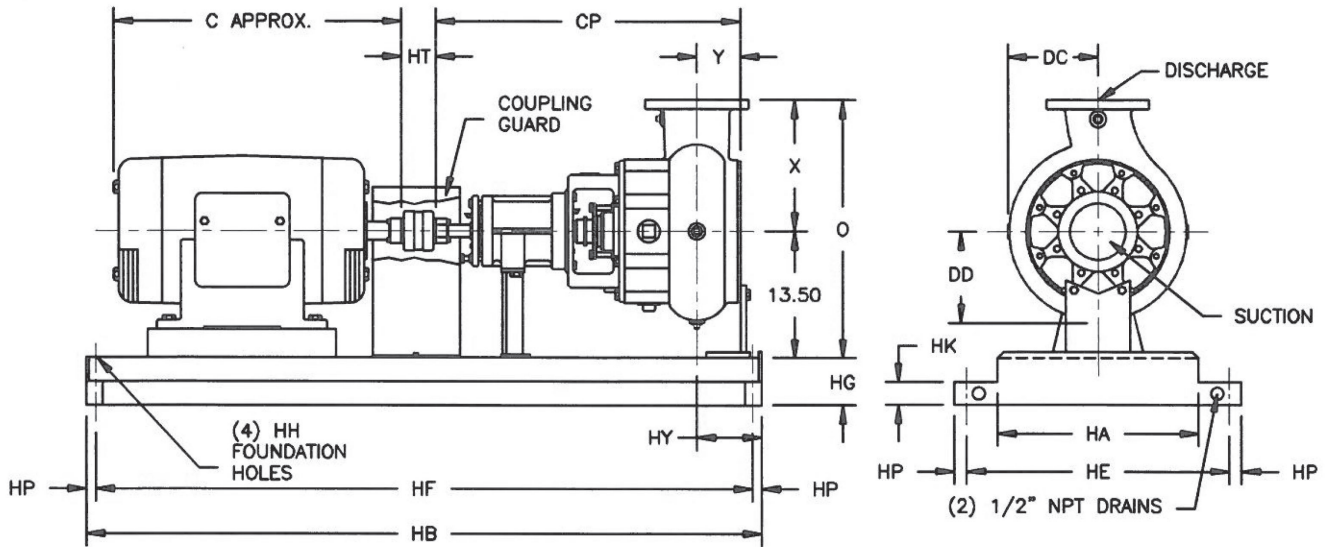
- NOTES:
 1. ALL DIMENSIONS IN INCHES.
 2. DIMENSIONS MAY VARY ± .25".
 3. NOT FOR CONSTRUCTION PURPOSES UNLESS CERTIFIED.
 4. THIS PAGE IS FOR BASE DIMENSIONS FOR ALL OTHER DIMENSIONS REFER TO PAGE 254.



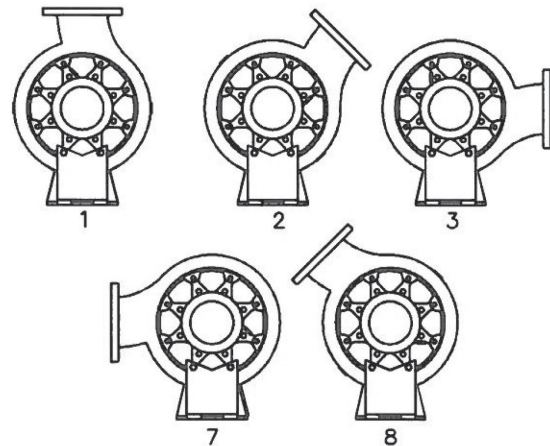
DISCHARGE POSITIONS AVAILABLE (VIEWED FROM SUCTION END)

BASE	SIZE	HA	HB	HE	HF	HG	HH	HK	HP
10	14x56	14.00	56.50	19.00	55.00	3.00	1.00	1.50	.75
11	18x46	18.00	46.50	25.13	44.88	4.00	1.13	2.00	.81
12	18x54	18.00	54.50	25.13	52.88	4.00	1.13	2.00	.81
13	18x64	18.00	64.50	25.13	62.88	4.00	1.13	2.00	.81
14	18x72	18.00	72.50	25.13	70.88	4.00	1.13	2.00	.81
15	22x54	22.00	54.50	29.13	52.88	4.50	1.13	2.00	.81
18	22x82	22.00	82.50	29.13	80.88	4.50	1.13	2.00	.81

DISCH SUCT BORE CASE	FRAME POWER	FRAME	FRAME																								
			C	254T	256T	284T	284TS	286T	286TS	324T	324TS	326T	326TS	364T	364TS	365T	365TS	404T	404TS	405T	405TS	444T	444TS	445T	445TS		
6x6x12	4C		10	10	13	13	13	13	13	13	13	13	13	13	13	13	13	18	18	18	18	18	18	18	18	18	18
6x6x12	5F		14	14	14	14	14	14	14	14	14	14	14	14	14	14	14	18	18	18	18	18	18	18	18	18	18
6x6x15	5F		14	14	14	14	14	14	14	14	14	14	14	14	14	14	14	18	18	18	18	18	18	18	18	18	18



- NOTES:
 1. ALL DIMENSIONS IN INCHES.
 2. DIMENSIONS MAY VARY ± .25\"/>



DISCHARGE POSITIONS AVAILABLE
(VIEWED FROM SUCTION END)

BASE	SIZE	HA	HB	HE	HF	HG	HH	HK	HP
10	14x56	14.00	56.50	19.00	55.00	3.00	1.00	1.50	.75
11	18x46	18.00	46.50	25.13	44.88	4.00	1.13	2.00	.81
12	18x54	18.00	54.50	25.13	52.88	4.00	1.13	2.00	.81
13	18x64	18.00	64.50	25.13	62.88	4.00	1.13	2.00	.81
14	18x72	18.00	72.50	25.13	70.88	4.00	1.13	2.00	.81
15	22x54	22.00	54.50	29.13	52.88	4.50	1.13	2.00	.81
18	22x82	22.00	82.50	29.13	80.88	4.50	1.13	2.00	.81

DISCH SUCT BORE CASE	FRAME POWER	FRAME																						
		254T	256T	284T	284TS	286T	286TS	324T	324TS	326T	326TS	364T	364TS	365T	365TS	404T	404TS	405T	405TS	444T	444TS	445T	445TS	
		C	21	23	24	22	25	24	26	25	28	26	29	27	30	28	33	30	34	31	38	34	40	36
6x6x12	4C		12	12	13	13	13	13	13	13	13	13	13	13	13	13								
6x6x12	5E		14	14	18	18	18	18	18	18	18	18	18	18	18	18								
6x6x15	5E		14	14	18	18	18	18	18	18	18	18	18	18	18	18								