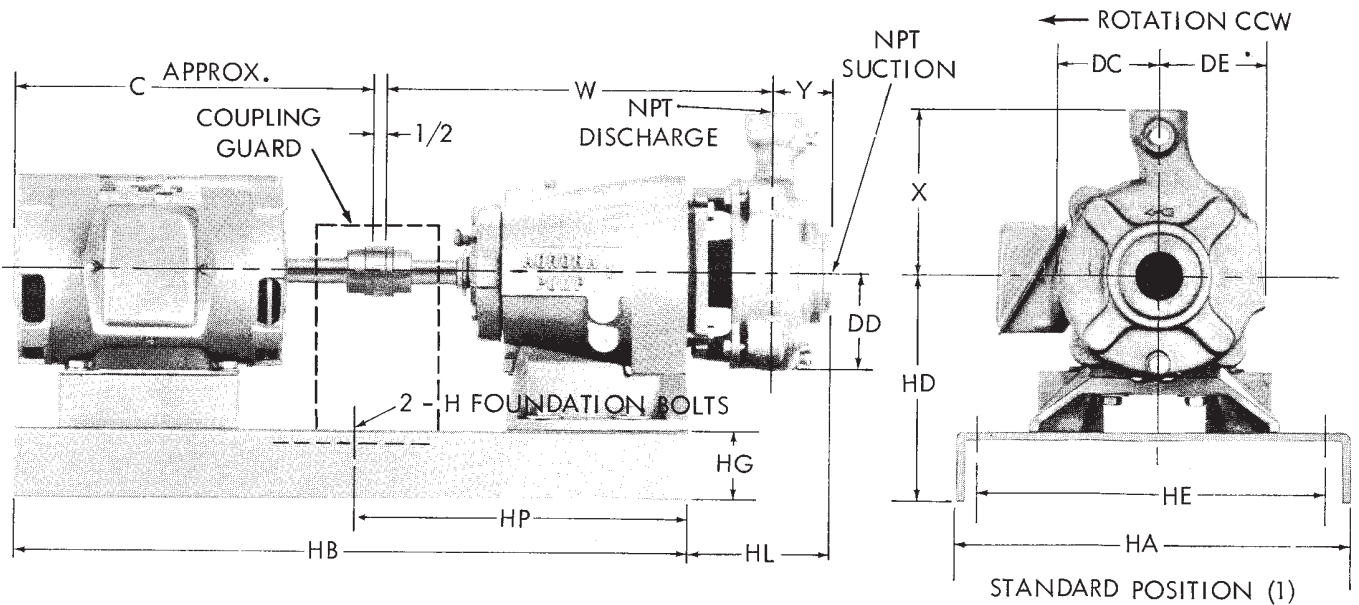
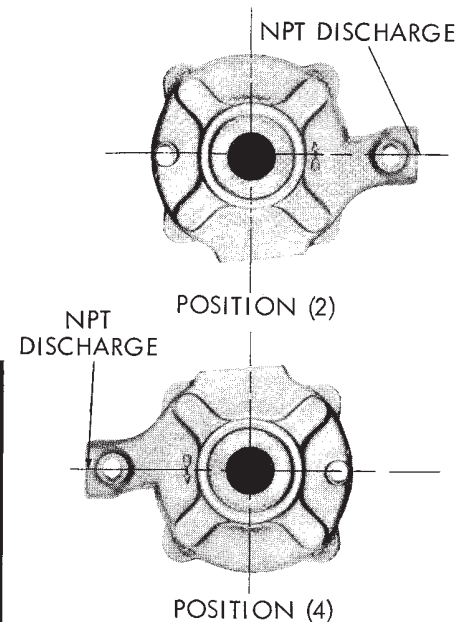


AURORA® MODEL 324A PUMPS ON STEEL BASE



FRAME	C APPROX.	H	HA	HB	HD	HE	HG	HP
48	10	3/8	9	21	7 11/16	7	2 7/16	10 1/2
56	12	3/8	9	21	7 11/16	7	2 7/16	10 1/2
143T	12	3/8	9	21	7 11/16	7	2 7/16	10 1/2
145T	13	3/8	9	21	7 11/16	7	2 7/16	10 1/2
182T	13	1/2	10	24	7 7/8	7	2 3/8	12
184T	14	1/2	10	24	7 7/8	7	2 3/8	12
213T	16	1/2	12	27	8 1/4	9	3	13 1/2

PUMP SIZE			W	X	Y	DC	DD	DE	HL
DISCHARGE	SUCTION	CASE BORE							
3/4	1	6A	13 3/8	5 1/2	1 3/4	3 5/16	3 7/16	3 3/8	4 9/16
3/4	1	7	13 3/8	6 1/4	1 7/8	3 15/16	4	4 7/16	4 11/16
1	1 1/4	4	13 1/4	4 1/8	1 11/16	2 3/8	2 3/8	2 7/16	4 5/8
1	1 1/4	5	13 3/16	5	2	2 13/16	2 7/8	3	4 7/8
1	1 1/4	6	13 3/16	5 1/2	1 15/16	3 5/16	3 3/8	3 3/8	4 13/16
1 1/4	1 1/2	5	13 1/4	5	1 15/16	2 7/8	2 15/16	3 7/16	4 7/8
1 1/4	1 1/2	7A	13 1/4	6 1/4	2	4	4 1/16	4 1/2	4 15/16
1 1/4	1 1/2	7B	13 3/16	6 1/4	2 7/16	4	4 1/8	4 3/8	5 5/16
1 1/4	1 1/2	9	13 3/16	8	2 1/4	5 13/16	5 3/16	5 13/16	5 1/8
1 1/2	2	4	13 3/8	5	2 1/8	2 1/2	3	2 3/4	5 3/16
1 1/2	2	7	13 3/16	7	2 1/4	4 1/16	4 1/4	4 7/8	5 1/8
2	2 1/2	4	13 3/4	5	3 1/16	2 1/2	3	2 13/16	6 1/2
2	2 1/2	5	13 3/8	6	2 11/16	3	3 3/16	3 7/16	5 3/4
2	2 1/2	6	13 5/16	6	2 3/4	3 1/2	3 11/16	4 3/8	5 3/4
2	2 1/2	7	13 3/8	7	2 15/16	4 1/16	4 5/16	4 7/8	6
3	3	6	13 1/2	8	3 5/8	3 7/8	4 7/16	5 7/8	6 13/16



NOTES

1. ALL DIMENSIONS IN INCHES.
2. DIMENSIONS MAY VARY ± 3/8.
3. NOT FOR CONSTRUCTION PURPOSES UNLESS CERTIFIED.
4. CONDUIT BOX SHOWN IN APPROXIMATE LOCATION. CAPACITOR, WHEN FURNISHED, NORMALLY APPEARS ON TOP OF MOTOR. DIMENSIONS ARE NOT SPECIFIED AS THEY VARY WITH EACH MOTOR MANUFACTURER.