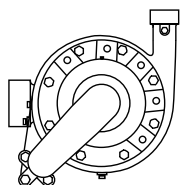
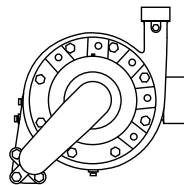


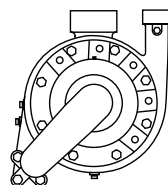
OPTIONAL POSITION (3)



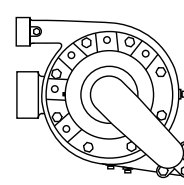
STANDARD POSITION 1



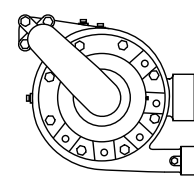
POSITION 2



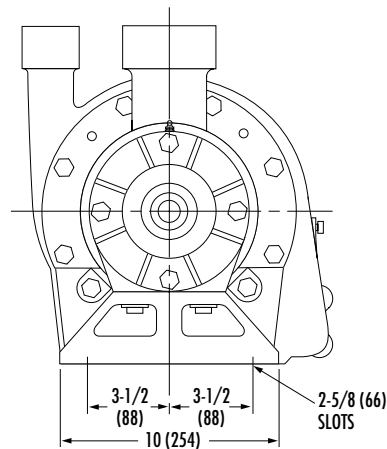
POSITION 3



POSITION 4



POSITION 5



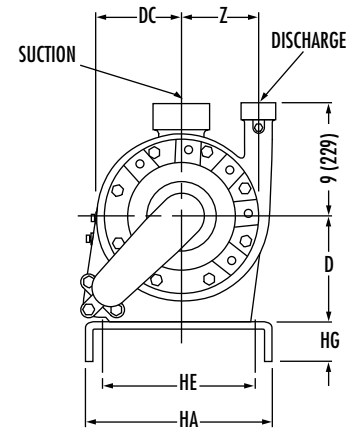
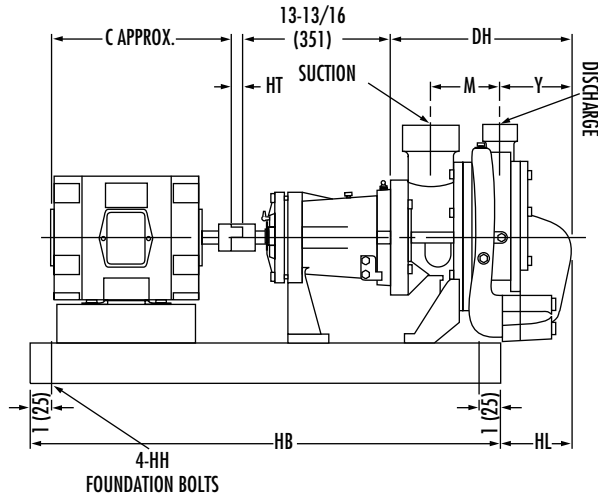
VIEW AA

PUMP SIZE	U	KEYWAY	
		LENGTH	SQ.
1-1/2 x 3 x 10	1-1/8 (29)	1-3/4 (44)	1/4 (6)
	3/8 (10)		
2 x 4 x 10	1-3/8 (35)	3/8 (10)	3/8 (10)
	3/8 (10)		

DISCHARGE	SUCTION	CASE BORE	D	DC	DH	L	M	Y	Z
1-1/2 (38)	3 (76)	10 (254)	8 (203)	7 (178)	14-1/2 (368)	12-1/4 (311)	5-3/4 (146)	5-13/16 (148)	6-1/8 (156)
2 (51)	4 (102)	10 (254)	9 (229)	7-5/8 (194)	15-11/16 (399)	13-7/16 (341)	6-3/4 (171)	6-9/16 (167)	6-9/16 (167)

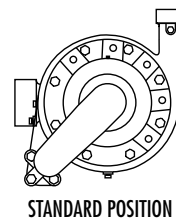
NOTES:

1. Dimensions may vary $\pm 1/4$ ".
2. Not for construction purposes unless certified.
3. All dimensions in inches and (mm).

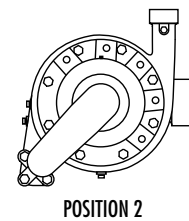


OPTIONAL POSITION (3)

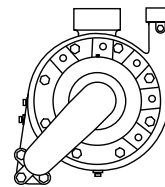
MOTOR	C	BASE NUMBER	HB	HT	HG	HE	HA	HH
143T	12 (305)	1 (25)	34 (864)	3/4 (19)	3 (76)	9 (229)	12 (305)	1/2 (13)
145T	13 (330)	1 (25)	34 (864)	3/4 (19)	3 (76)	9 (229)	12 (305)	1/2 (13)
182T	13 (330)	2 (51)	38 (965)	3/4 (19)	3 (76)	9 (229)	12 (305)	1/2 (13)
184T	14 (356)	2 (51)	38 (965)	3/4 (19)	3 (76)	9 (229)	12 (305)	1/2 (13)
213T	16 (356)	2 (51)	38 (965)	3/4 (19)	3 (76)	9 (229)	12 (305)	1/2 (13)
215T	18 (457)	3 (76)	42 (1067)	7/8 (22)	4 (102)	10 (229)	13 (305)	5/8 (16)
254T	21 (533)	3 (76)	42 (1067)	7/8 (22)	4 (102)	10 (254)	13 (330)	5/8 (16)
256T	23 (584)	4 (102)	52 (1321)	7/8 (22)	4-1/8 (105)	12 (305)	15 (381)	5/8 (16)
284TS	22 (559)	4 (102)	52 (1321)	7/8 (22)	4-1/8 (105)	12 (305)	15 (381)	5/8 (16)
286TS	24 (610)	4 (102)	52 (1321)	1 (25)	4-1/8 (105)	12 (305)	15 (381)	5/8 (16)
324TS	25 (635)	5 (127)	48 (1219)	1 (25)	4 (102)	15 (381)	18 (457)	5/8 (16)
326TS	26 (660)	5 (127)	48 (1219)	1 (25)	4 (102)	15 (381)	18 (457)	5/8 (16)
364TS	27 (686)	5 (127)	48 (1219)	1 (25)	4 (102)	15 (381)	18 (457)	5/8 (16)
365TS	28 (711)	6 (152)	54 (1372)	1/4 (6)	4 (102)	15 (381)	18 (457)	5/8 (16)



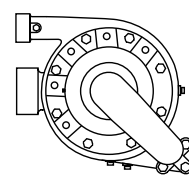
STANDARD POSITION 1



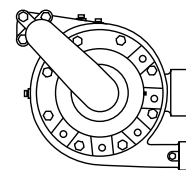
POSITION 2



POSITION 3



POSITION 4



POSITION 5

DIS-CHARGE	SUC-TION	CASE BORE	D	DC	DH	HL	M	Y	Z	FRAME	143T	145T	182T	184T	213T	215T	254T	256T	284TS	286TS	324TS	326TS	364TS	365TS
										C	11 (279)	12 (305)	13 (330)	14 (356)	16 (406)	18 (457)	21 (533)	23 (584)	22 (559)	24 (610)	25 (635)	26 (660)	27 (686)	28 (711)
1-1/2	3	10	8 (203)	7 (179)	14-1/2 (368)	8 (203)	5-3/4 (146)	5-13/16 (148)	6-1/8 (156)	BASE	1	1	2	2	2	3	3	4	4	4	5	5		
2	4	10	9 (229)	7-5/8 (194)	15-11/16 (398)	9-3/16 (233)	6-3/4 (171)	6-9/16 (167)	6-9/16 (167)	BASE			2	2	2	3	3	4	4	4	5	5	5	6

NOTES:

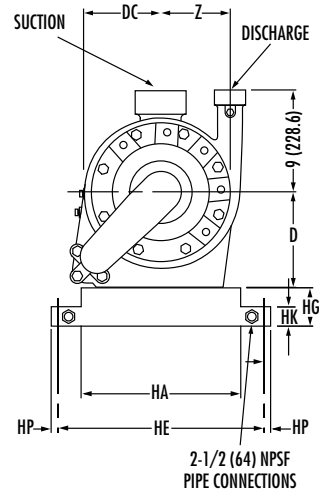
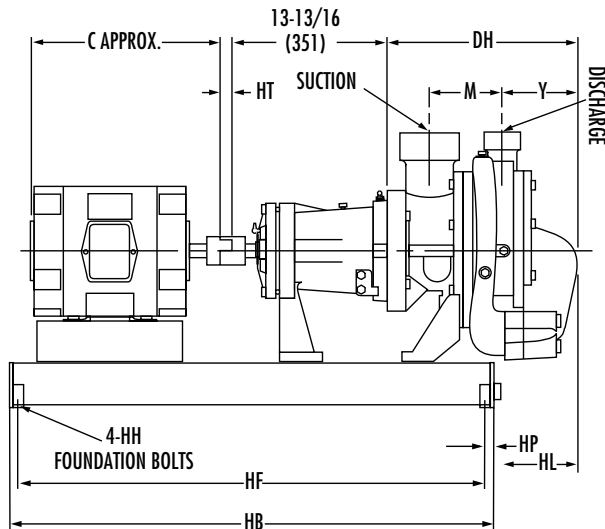
1. All dimensions in inches.
2. Dimensions may vary ± 1/4".
3. Not for construction purposes unless certified.
4. Conduit box is shown in approximate location. Dimensions are not specified as they vary with each motor manufacturer.

ON STEEL DRIP RIM BASES

Dated **June 2013**

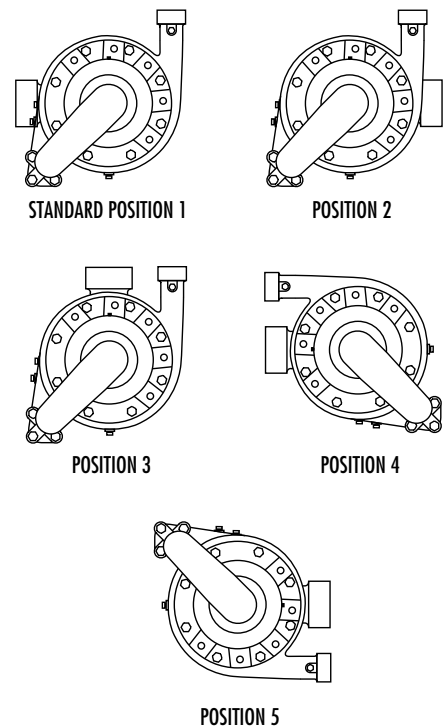
Supersedes Section 370 Page 301

Dated NOVEMBER 2001



OPTIONAL POSITION (3)

MOTOR	C	BASE NUMBER	HB	HT	HG	HE	HA	HH	HK	HF	HP
143T	12 (305)	5 (127)	36-1/2 (927)	3/4 (19)	3 (76)	15-7/8 (403)	11 (279)	1/2 (13)	1-1/2 (38)	35-1/8 (892)	11/16 (17)
145T	13 (330)	5 (127)	36-1/2 (927)	3/4 (19)	3 (76)	15-7/8 (403)	11 (279)	1/2 (13)	1-1/2 (38)	35-1/8 (892)	11/16 (17)
182T	13 (330)	5 (127)	36-1/2 (927)	3/4 (19)	3 (76)	15-7/8 (403)	11 (279)	1/2 (13)	1-1/2 (38)	35-1/8 (892)	11/16 (17)
184T	14 (356)	5 (127)	36-1/2 (927)	3/4 (19)	3 (76)	15-7/8 (403)	11 (279)	1/2 (13)	1-1/2 (38)	35-1/8 (892)	11/16 (17)
213T	16 (406)	5 (127)	36-1/2 (927)	3/4 (19)	3 (76)	15-7/8 (403)	11 (279)	1/2 (13)	1-1/2 (38)	35-1/8 (892)	11/16 (17)
215T	18 (457)	6 (152)	42-1/2 (1080)	7/8 (22)	3 (76)	15-7/8 (403)	11 (279)	5/8 (16)	1-1/2 (38)	41-1/8 (1045)	11/16 (17)
254T	21 (533)	8 (203)	42-1/2 (1080)	7/8 (22)	3 (76)	19 (483)	14 (356)	5/8 (16)	1-1/2 (38)	41 (1041)	3/4 (19)
256T	23 (584)	9 (229)	48-1/2 (1232)	7/8 (22)	3 (76)	19 (483)	14 (356)	5/8 (16)	1-1/2 (38)	47 (1199)	3/4 (19)
284TS	22 (559)	9 (229)	48-1/2 (1232)	7/8 (22)	3 (76)	19 (483)	14 (356)	5/8 (16)	1-1/2 (38)	47 (1199)	3/4 (19)
286TS	24 (610)	9 (229)	48-1/2 (1232)	1 (25)	3 (76)	19 (483)	14 (356)	5/8 (16)	1-1/2 (38)	47 (1199)	3/4 (19)
324TS	25 (635)	11 (279)	46-1/2 (1181)	1 (25)	4 (102)	25-1/8 (638)	18 (457)	3/4 (19)	2 (51)	44-7/8 (1140)	13/16 (20)
326TS	26 (660)	11 (279)	46-1/2 (1181)	1 (25)	4 (102)	25-1/8 (638)	18 (457)	3/4 (19)	2 (51)	44-7/8 (1140)	13/16 (20)
364TS	27 (686)	11 (279)	46-1/2 (1181)	1 (25)	4 (102)	25-1/8 (638)	18 (457)	3/4 (19)	2 (51)	44-7/8 (1140)	13/16 (20)
365TS	28 (711)	12 (305)	54-1/2 (1384)	1/4 (6)	4 (102)	25-1/8 (638)	18 (457)	3/4 (19)	2 (51)	52-7/8 (1343)	13/16 (20)



DIS-CHARGE	SUC-TION	CASE BORE	D	DC	DH	HL	M	Y	Z	FRAME C	143T	145T	182T	184T	213T	215T	254T	256T	284TS	286TS	324TS	326TS	364TS	365TS
											(279)	(305)	(330)	(356)	(406)	(457)	(533)	(584)	(559)	(610)	(635)	(660)	(686)	(711)
1-1/2	3	10	8 (203)	7 (179)	14-1/2 (368)	8 (203)	5-3/4 (146)	5-13/16 (148)	6-1/8 (156)	BASE	5	5	5	5	5	6	8	9	9	9	11	11	11	12
2	4	10	9 (229)	7-5/8 (194)	15-11/16 (398)	9-3/16 (233)	6-3/4 (171)	6-9/16 (167)	6-9/16 (167)	BASE			5	5	5	6	8	9	9	9	11	11	11	12

NOTES:

1. All dimensions in inches.
2. Dimensions may vary ± 1/4".
3. Not for construction purposes unless certified.
4. Conduit box is shown in approximate location. Dimensions are not specified as they vary with each motor manufacturer.