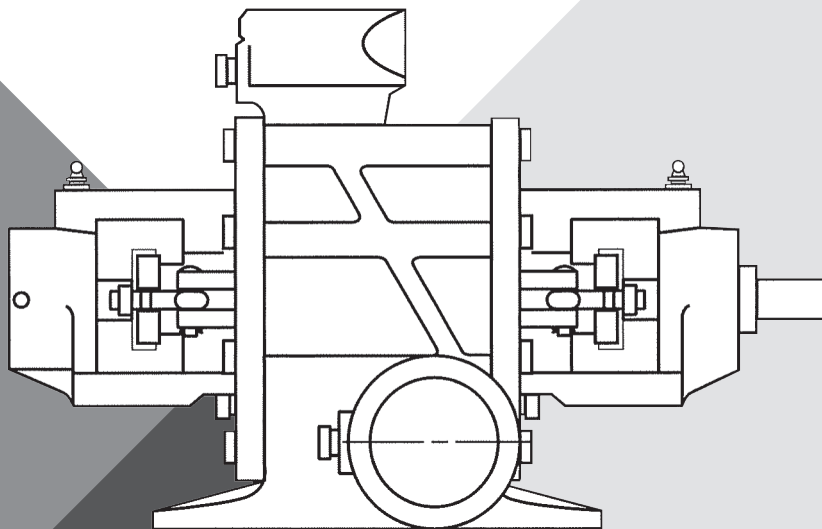




REGENERATIVE TURBINE PUMPS

120B-SERIES

MODELS: 121B SINGLE-STAGE, 122B TWO-STAGE
PUMP SIZES: EX4 through IX4, EX4T through IX4T



REPAIR PARTS INDEX

pentair.com

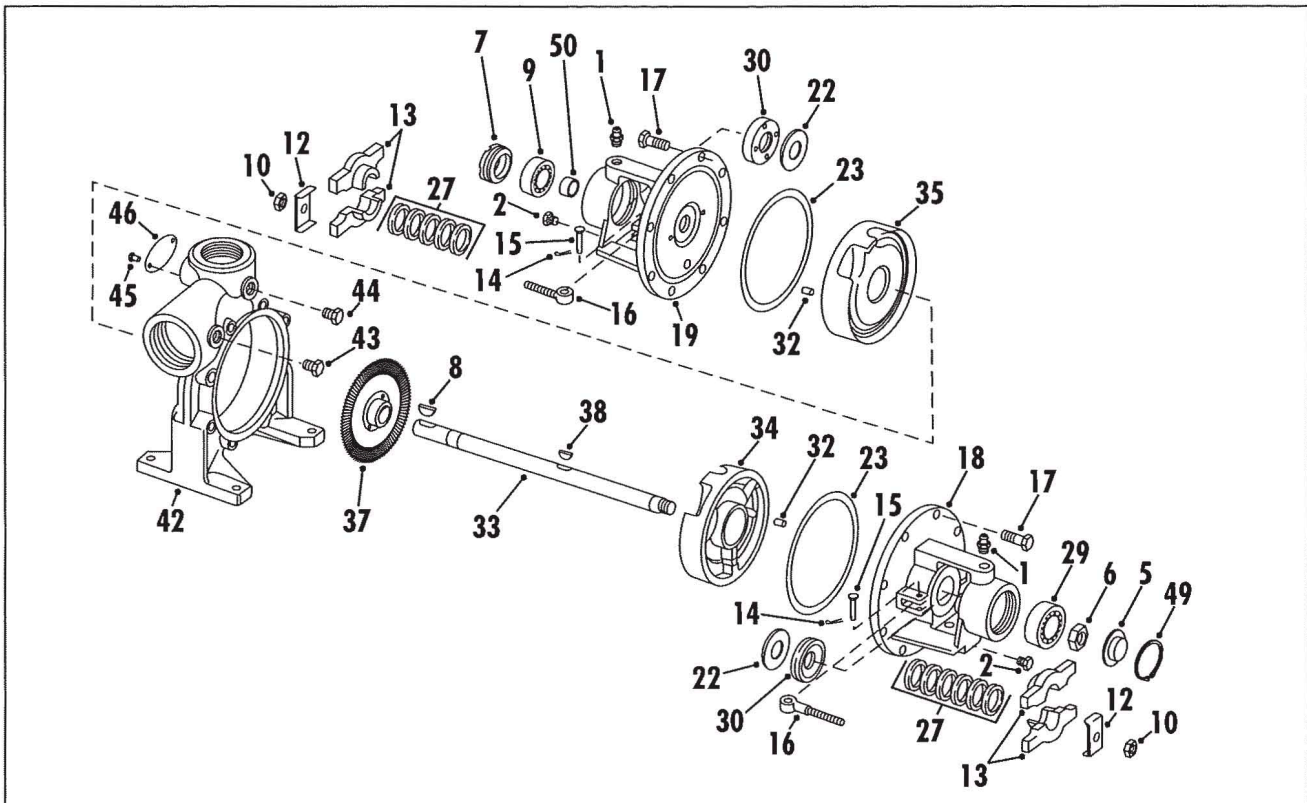
©2021 Pentair. All Rights Reserved.

A-03-207 (09-01-2021)

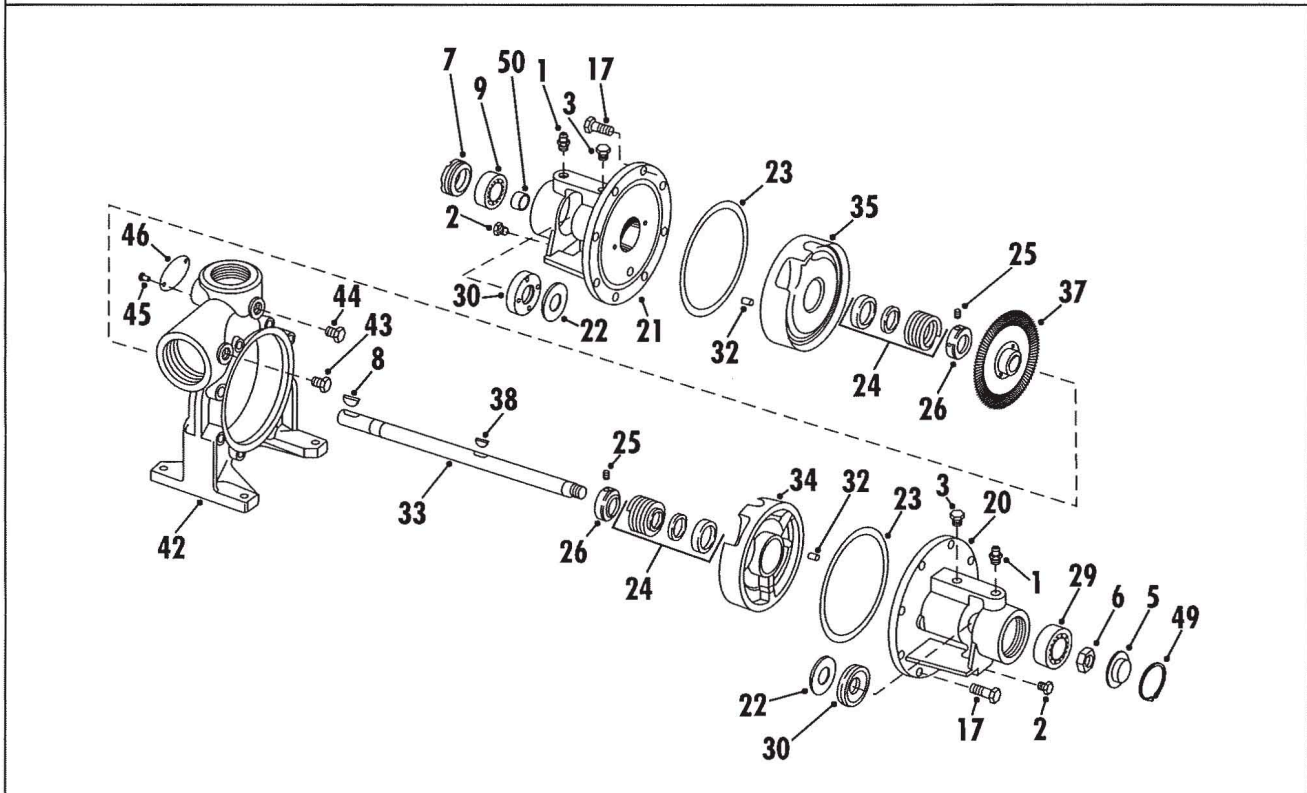
TABLE OF CONTENTS

Model 121B Piece Numbers	3
Model 122B Piece Numbers.....	4
Models 121B - 122B: EX4 thru IX4 & EX4T thru IX4T 1.5 x 1.5 x 7 through 6 x 6 x 7A.....	5
Warranty.....	7

MODEL 121B PIECE NUMBERS

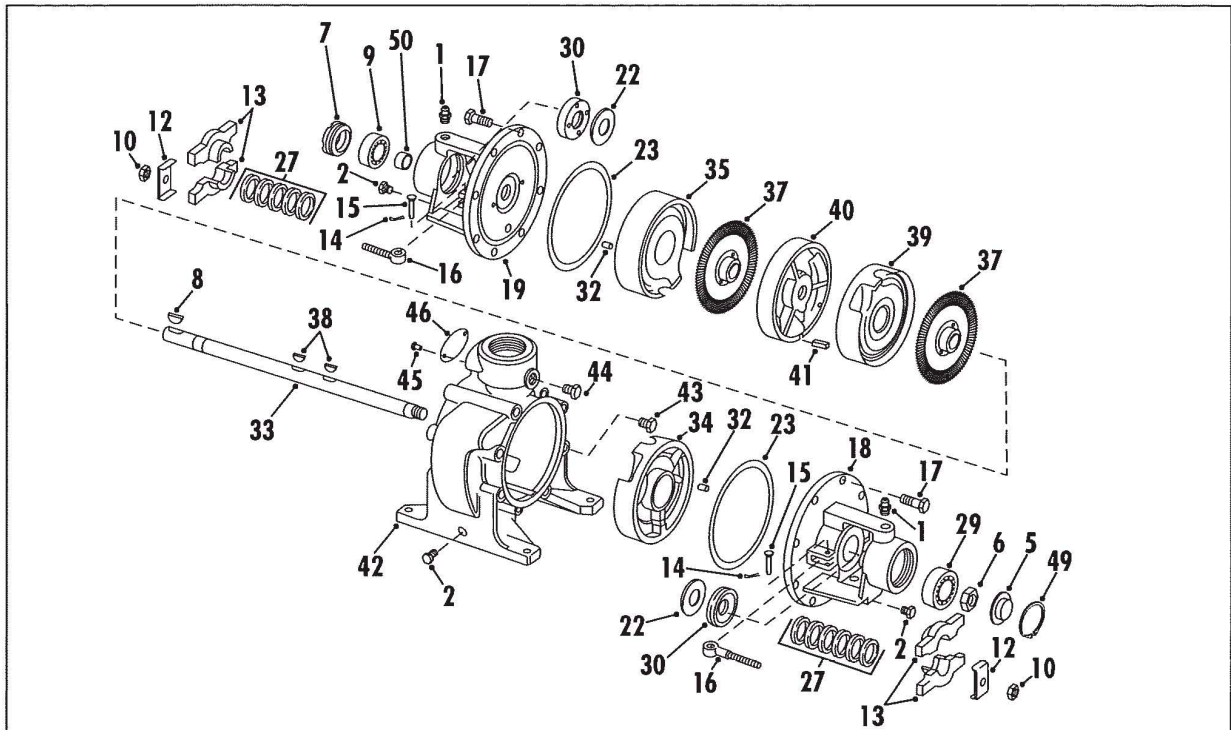


MODEL 121B - SINGLE STAGE WITH PACKING

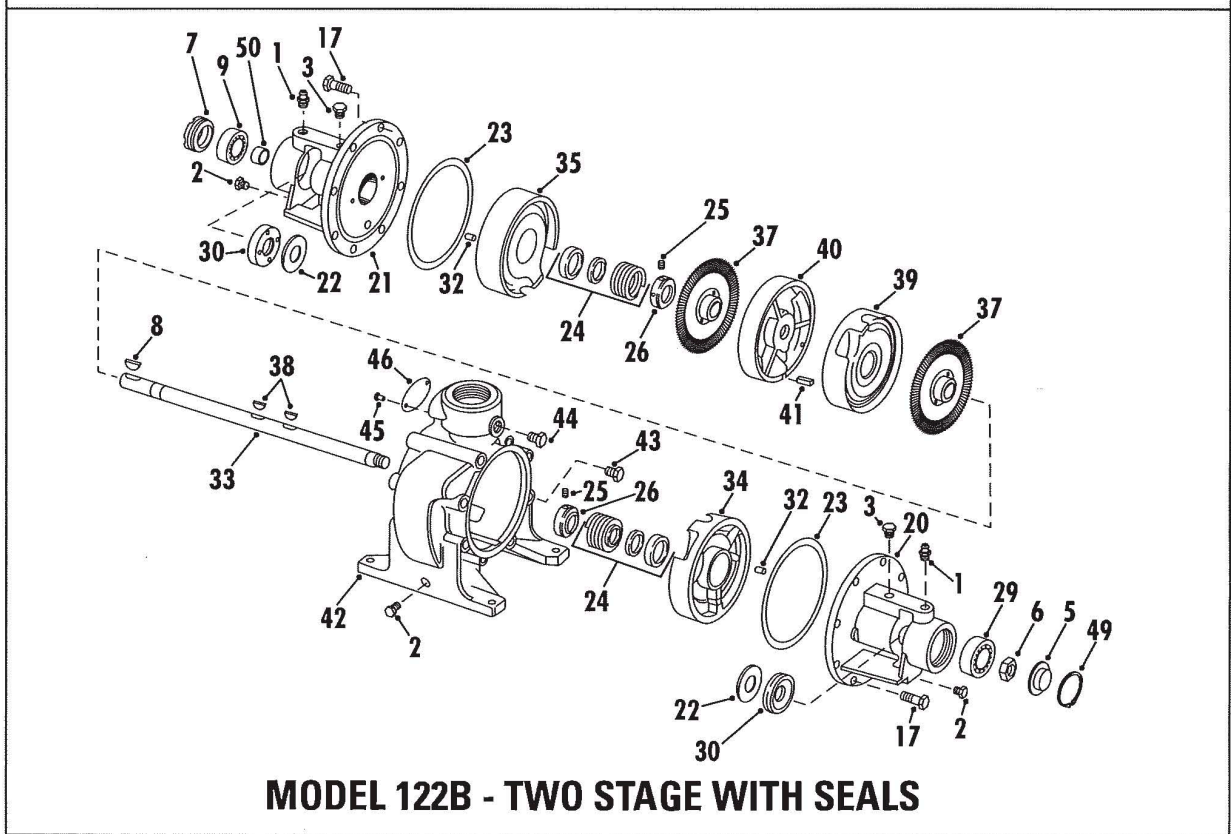


MODEL 121B - SINGLE STAGE WITH SEALS

MODEL 122B PIECE NUMBERS



MODEL 122B - TWO STAGE WITH PACKING



MODEL 122B - TWO STAGE WITH SEALS

MODELS 121B - 122B: EX4 THRU IX4 & EX4T THRU IX4T

PC. NO.	DESCRIPTION	QTY	PART NO.	MATERIALS		
				B.F.	A.I.	
1	GREASE FITTING	2	508-0001	651	651	
2	PIPE PLUG					
	EX4 thru IX4	1	600-0001	087	087	
	EX4 thru IX4T	2	600-0001	087	087	
5	OUTBOARD RET.	1	672-0056	500	500	
6	JAM NUT	1	544-0316	080	080	
7	INBOARD RET.	1	672-0049	500	500	
8	KEY	1	972-0006	087	087	*
9	BEARING	1	068-1905	647	647	
10	NUT (SEE 16A)	4	544-0105	-	080	
12	GLAND CLAMP (SEE 16A)	4	204-0120	-	360	*
13	GLAND	2	372-0194	010	010	
14	COT TER PIN	4	592-0405	087	087	
15	CLEVIS PIN	4	592-0452	360	360	
16	SWING BOLT (SEE 16A)	4	100-2015	-	360	
16A	SWING BOLT ASSY (SEE 10, 12, 16)	1	099-0004	644	-	
17	CAPSCREW	16	168-0380	082	082	
18	COVER, PACKING	1	260-5127	010	010	*
19	COVER, PACKING	1	260-5127	010	010	*
20	COVER, SEAL	1	260-5126	010	010	*
21	COVER, SEAL	1	260-5126	010	010	*
22	SLINGER	2	764-1002	478	478	
23	GASKET	2	364-1198	478	478	
24	SEAL	2	712-0707	753	764	
25	SET SCREW	4	724-0077	104	104	
26	COLLAR	2	224-0082	208	087	
27	PACKING	10	564-0029	802	802	***
29	BEARING	1	068-0154	647	647	
30	BORE RETAINER	2	672-0050	500	500	
32	PIN	2	592-0632	104	104	
33	SHAFT					
	EX4 thru IX4 * 1728-7273 629	1	728-7273	629	629	*
	EX4T thru IX4T*	1	728-7274	629	629	*
34	CHANNEL RING (RIGHT HAND)					
	EX4 & EX4T	1	676-2016	010	010	*
	FX4 & FX4T	1	676-2018	010	010	*
	GX4 & GX4T	1	676-2020	010	010	*
	HX4 & HX4T	1	676-2022	010	010	*
	IX4 & IX4T	1	676-2024	010	010	*
35	CHANNEL RING (LEFT HAND)					
	EX4 & EX4T	1	676-2015	010	010	*
	FX4 & FX4T	1	676-2017	010	010	*
	GX4 & GX4T	1	676-2019	010	010	*
	HX4 & HX4T	1	676-2021	010	010	*
	IX4 & IX4T	1	676-2023	010	010	*
36	IMPELLER					
	EX4 & EX4T	*	444-2676	199	053	*
	FX4 & FX4T	*	444-2677	199	053	*
	GX4 & GX4T	*	444-2678	199	053	*
	HX4 & HX4T	*	444-2679	199	053	*
	IX4 & IX4T	*	444-2680	199	053	*
	* EX4 thru IX4 ONE REQUIRED (SINGLE STAGE)					
	* EX4T thru IX4T TWO REQUIRED (TWO STAGE)					

* OBSOLETE

* INCLUDES SHAFT AND TOLERANCE RING PC. NO. 50

MODELS 121B - 122B: EX4 THRU IX4 & EX4T THRU IX4T

PC. NO.	DESCRIPTION	QTY	PART NO.	B.F.	MATERIALS	
						A.I.
38	KEY	*	472-0108	100		100
39	SPACER(LEFT)					
	EX4T	1	772-0240	010		010 *
	FX4T	1	772-0242	010		010 *
	GX4T	1	772-0244	010		010 *
	HX4T	1	772-0246	010		010 *
	IX4T	1	772-0248	010		010 *
40	SPACER(RIGHT)					
	EX4T	1	772-0241	010		010 *
	FX4T	1	772-0243	010		010 *
	GX4T	1	772-0245	010		010 *
	HX4T	1	772-0247	010		010 *
	IX4T	1	772-0249	010		010 *
41	SPACER KEY	1	472-1013	104		104 *
42	CASING					
	EX4 thru IX4	1	180-2294	010		010 *
	EX4T thru IX4T	1	180-2295	010		010 *
44	PIPE PLUG	2	600-0002	113		113
45	DRIVE SCREW	2	708-0012	365		365
46	NAMEPLATE	1	532-0014	324		324
49	INT. RET. RING	1	676-2093	088		088 *
50	TOLERANCE RING	1	676-2106	114		114

	DESCRIPTION	QTY	PART NO.	B.F.	MATERIALS	
						A.I.
REPAIR PARTS KIT THE FOLLOWING KITS INCLUDE PIECE NUMBERS 6, 8, 9, 22, 23, 29, 32, 33, 34, 35, 37, 38, 39, 40, 41, 47, 48, 49 PACKED PUMP KITS ALSO INCLUDE PIECE NUMBERS 13, 14, 15, 16A, 27 MECHANICAL SEAL KITS ALSO INCLUDE PIECE NUMBERS 24, 25, 26						
KITS WITH PACKING						
	EX4		476-0662	644		*
	FX4		476-0663	644		*
	GX4		476-0664	644		*
	HX4		476-0665	644		*
	IX4		476-0666	644		*
	EX4T		476-0667	644		*
	FX4T		476-0668	644		*
	GX4T		476-0669	644		*
	HX4T		476-0670	644		*
	IX4T		476-0671	644		*
KITS WITH MECHANICAL SEALS						
	EX4		476-0672	644		*
	FX4		476-0673	644		*
	GX4		476-0674	644		*
	HX4		476-0675	644		*
	IX4		476-0676	644		*
	EX4T		476-0677	644		*
	FX4T		476-0678	644		*
	GX4T		476-06679	644		*
	HX4T		476-0680	644		*
	IX4T		476-0681	644		*

* OBSOLETE

LIMITED WARRANTY

Seller warrants equipment (and its component parts) of its own manufacture against defects in materials and workmanship under normal use and service for one (1) year from the date of installation or start-up, or for eighteen (18) months after the date of shipment, whichever occurs first. Seller warrants 3800 series end suction pump models for a period of five (5) years from the date of installation or start-up, or for sixty (60) months after the date of shipment, whichever comes first. Seller does not warrant accessories or components that are not manufactured by Seller; however, to the extent possible, Seller agrees to assign to Buyer its rights under the original manufacturer's warranty, without recourse to Seller. Buyer must give Seller notice in writing of any alleged defect covered by this warranty (together with all identifying details, including the serial number, the type of equipment, and the date of purchase) within thirty (30) days of the discovery of such defect during the warranty period. No claim made more than 30 days after the expiration of the warranty period shall be valid. Guarantees of performance and warranties are based on the use of original equipment manufactured (OEM) replacement parts. Seller assumes no responsibility or liability if alterations, non-authorized design modifications and/or non-OEM replacement parts are incorporated. If requested by Seller, any equipment (or its component parts) must be promptly returned to Seller prior to any attempted repair, or sent to an authorized service station designated by Seller, and Buyer shall prepay all shipping expenses. Seller shall not be liable for any loss or damage to goods in transit, nor will any warranty claim be valid unless the returned goods are received intact and undamaged as a result of shipment. Repaired or replaced material returned to customer will be shipped F.O.B., Seller's factory. Seller will not give Buyer credit for parts or equipment returned to Seller, and will not accept delivery of any such parts or equipment, unless Buyer has obtained Seller's approval in writing. The warranty extends to repaired or replaced parts of Seller's manufacture for ninety (90) days or for the remainder of the original warranty period applicable to the equipment or parts being repaired or replaced, whichever is greater. This warranty applies to the repaired or replaced part and is not extended to the product or any other component of the product being repaired. Repair parts of its own manufacture sold after the original warranty period are warranted for a period of one (1) year from shipment against defects in materials and workmanship under normal use and service. This warranty applies to the replacement part only and is not extended to the product or any other component of the product being repaired. Seller may substitute new equipment or improve part(s) of any equipment judged defective without further liability. All repairs or services performed by Seller, which are not covered by this warranty, will be charged in accordance with Seller's standard prices then in effect.

THIS WARRANTY IS THE SOLE WARRANTY OF SELLER AND SELLER HEREBY EXPRESSLY DISCLAIMS AND BUYER WAIVES ALL OTHER WARRANTIES EXPRESSED, IMPLIED IN LAW OR IMPLIED IN FACT, INCLUDING ANY WARRANTIES OF MERCHANTABILITY OR FITNESS FOR A PARTICULAR PURPOSE. Seller's sole obligation under this warranty shall be, at its option, to repair or replace any equipment (or its component parts) that has a defect covered by this warranty, or to refund the purchase price of such equipment or part. Under the terms of this warranty, Seller shall not be liable for (a) consequential, collateral, special or liquidated losses or damages; (b) equipment conditions caused by normal wear and tear, abnormal conditions of use, accident, neglect, or misuse of said equipment; (c) the expense of, and loss or damage caused by, repairs or alterations made by anyone other than the Seller; (d) damage caused by abrasive materials, chemicals, scale deposits, corrosion, lightning, improper voltage, mishandling, or other similar conditions; (e) any loss, damage, or expense relating to or resulting from installation, removal or reinstallation of equipment; (f) any labor costs or charges incurred in repairing or replacing defective equipment or parts, including the cost of reinstalling parts that are repaired or replaced by Seller; (g) any expense of shipment of equipment or repaired or replacement parts; or (h) any other loss, damage, or expense of any nature.

The above warranty shall not apply to any equipment that may be separately covered by any alternate or special warranties.

PERFORMANCE: In the absence of Certified Pump Performance Tests, equipment performance is not warranted or guaranteed. Performance curves and other information submitted to Buyer are approximate, and no warranty or guarantee shall be deemed to arise as a result of such submittal. All testing shall be done in accordance with Seller's standard policy under Hydraulic Institute procedures.

LIABILITY LIMITATIONS: Under no circumstances shall the Seller have any liability under the Order or otherwise for liquidated damages or for collateral, consequential, or special damages or for loss of profits, or for actual losses or for loss of production or progress of construction, regardless of the cause of such damages or losses. In any event, Seller's aggregate total liability under the Order or otherwise shall not exceed the contract price.

ACTS OF GOD: Seller shall in no event be liable for delays in delivery of the equipment or other failures to perform caused by fires, acts of God, strikes, labor difficulties, acts of governmental or military authorities, delays in transportation or procuring materials, or causes of any kind beyond Seller's control.

COMPLIANCE WITH LAW: Seller agrees to comply with all United States laws and regulations applicable to the manufacturing of the subject equipment. Such compliance shall include: The Fair Labor Standards Acts of 1938, as amended; Equal Employment Opportunity clauses of Executive Order 11246, as amended; Occupational Safety and Health Act of 1970 and the standards promulgated thereunder, if applicable. Since compliance with the various Federal, State and Local laws and regulations concerning occupational health and safety, pollution, or local codes are affected by the use, installation, and operation of the equipment and other matters over which Seller has no control, Seller assumes no responsibility for compliance with those laws and regulations, whether by way of indemnity, warranty, or otherwise. It is incumbent upon the Buyer to specify equipment that complies with local codes and ordinances.



800 Airport Road
North Aurora, Illinois 60542
630-859-7000
www.aurorapump.com



800 Airport Road | North Aurora, Illinois 60542 | Ph: 630.859.7000 | pentair.com

For a detailed list of where Pentair trademarks are registered, please visit www.pentair.com/en/registrations.html. Pentair trademarks and logos are owned by Pentair plc. or its affiliates. Third party registered and unregistered trademarks and logos are the property of their respective owners. Because we are continuously improving our products and services, Pentair reserves the right to change specifications without prior notice. Pentair is an equal opportunity employer.

©2021 Pentair. All Rights Reserved.

A-03-370 (09-01-21)