



**AURORA<sup>®</sup>**

**660 SERIES  
HORIZONTAL AND VERTICAL  
ONE STAGE VORTEX  
SOLIDS HANDLING PUMPS**

**REPAIR PARTS INDEX**

NOTE! Read and understand the pump and motor instructions before attempting to install, disassemble or repair the pump.

**THIS PAGE INTENTIONALLY LEFT BLANK**

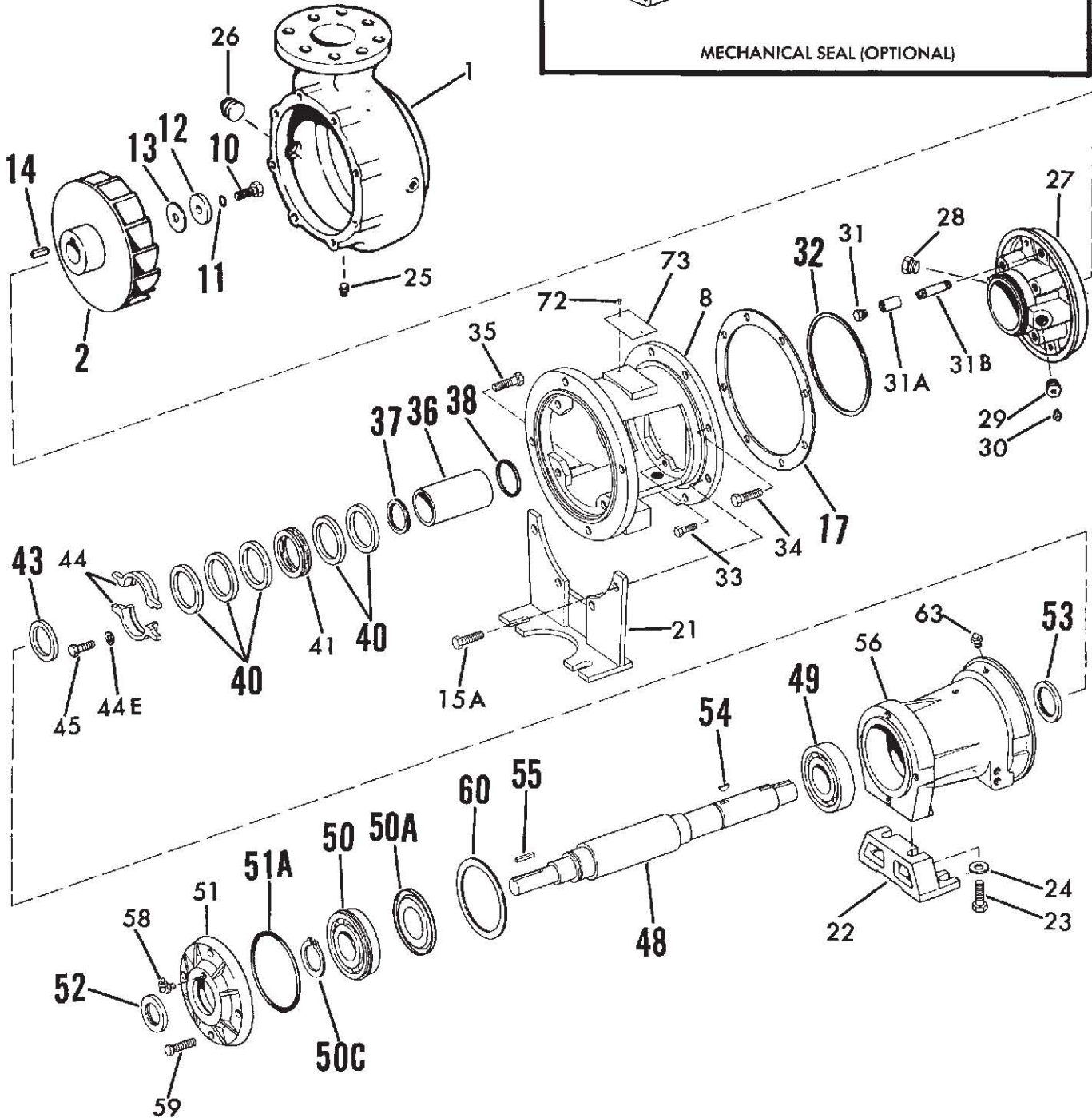
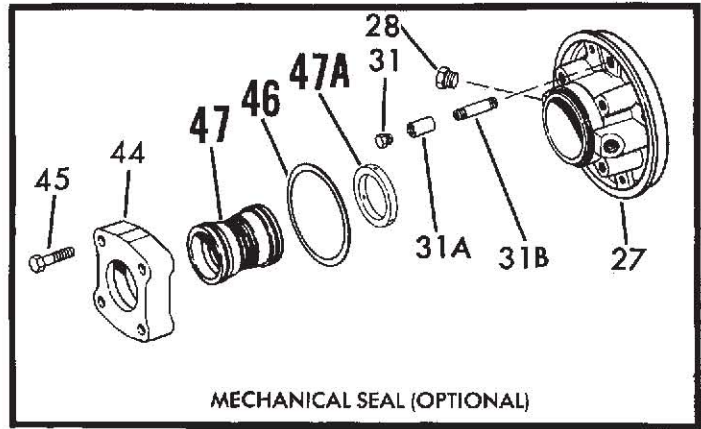
# 660 SERIES REPAIR PARTS INDEX

SECTION **660A** PAGE 1  
DATED DECEMBER 1991  
SUPERSEDES PAGE 1  
DATED NOVEMBER 1988

PARTS ARE LISTED BY POWER FRAME AND LIQUID ENDS. SELECT POWER FRAME BY PUMP SIZE AND SPEED FROM CHART BELOW.

PUMP SIZE	RPM			
	1775	1175	885	710
3x3x9	3C	3C	3C	
4x4x9	3C	3C	3C	
3x3x12	3C	3C	3C	
4x4x12	3C	3C	3C	
6x6x12	5E	4C	4C	
6x6x15		5E	5E	5E

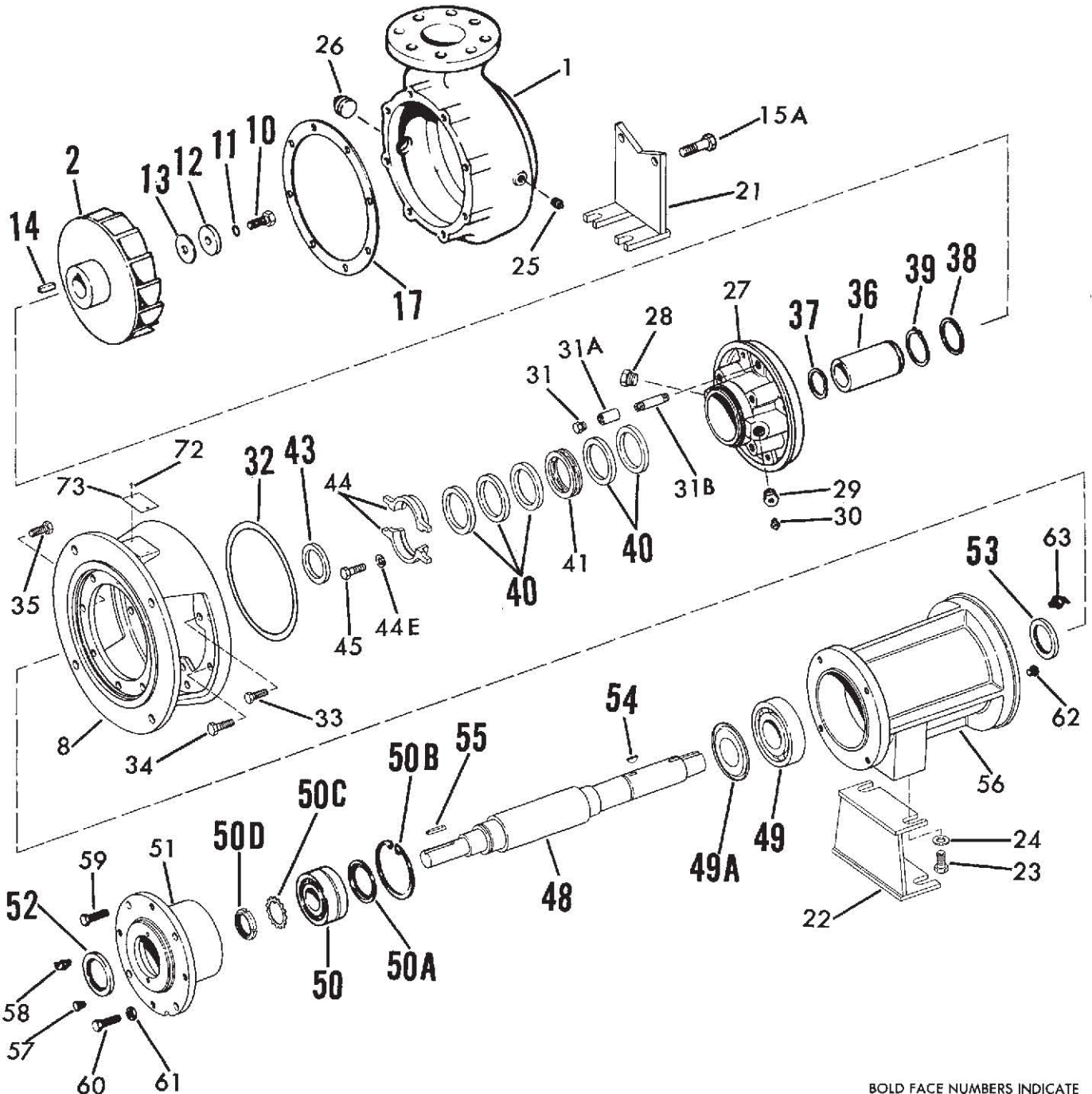
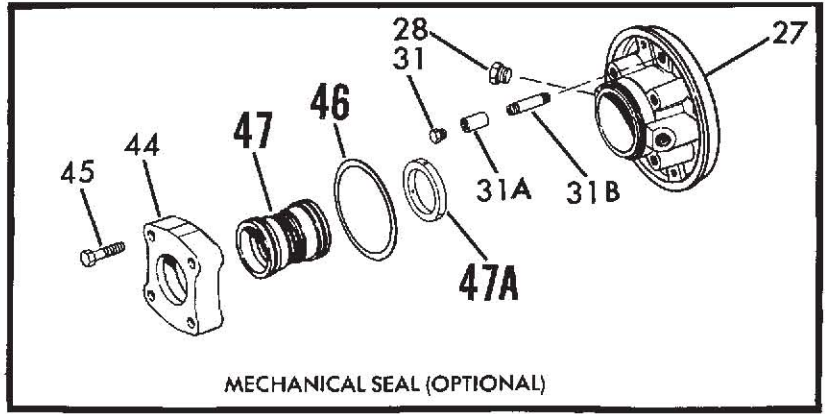
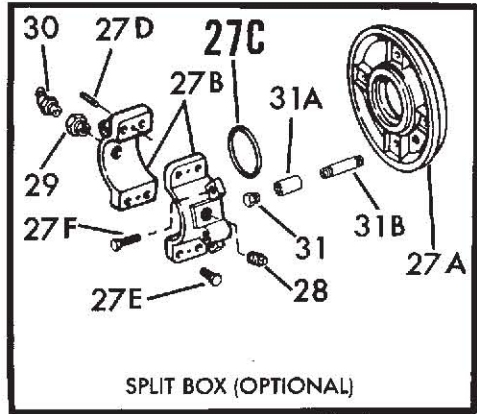
**660A SERIES**  
**MODEL 661A PF 3C**  
**PIECE NUMBERS**



BOLD FACE NUMBERS INDICATE  
RECOMMENDED SPARE PARTS.

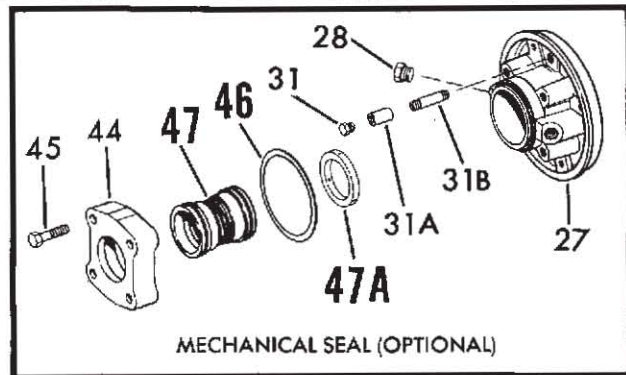
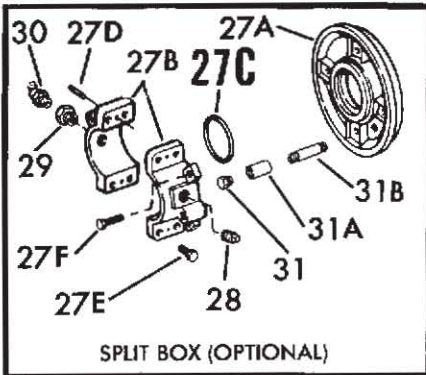
**661A SERIES**  
**MODEL 661A PF 4 & 5**  
**PIECE NUMBERS**

SECTION **660A** PAGE **3**  
 DATED DECEMBER 1991  
 SUPERSEDES PAGE 3  
 DATED NOVEMBER 1988

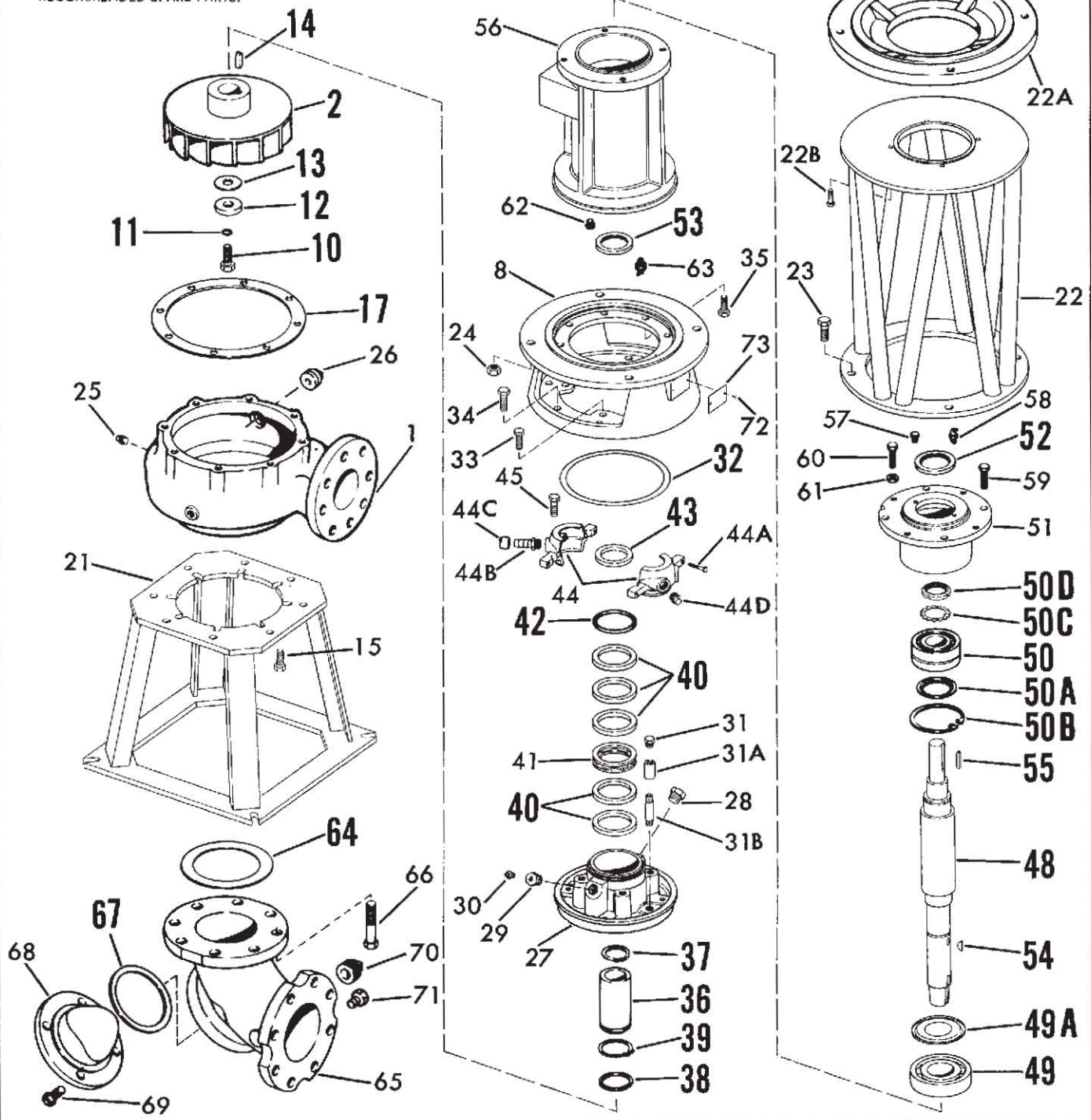


BOLD FACE NUMBERS INDICATE  
 RECOMMENDED SPARE PARTS.

**660A SERIES**  
**MODEL 662A-663A PF 4 & 5**  
**PIECE NUMBERS**

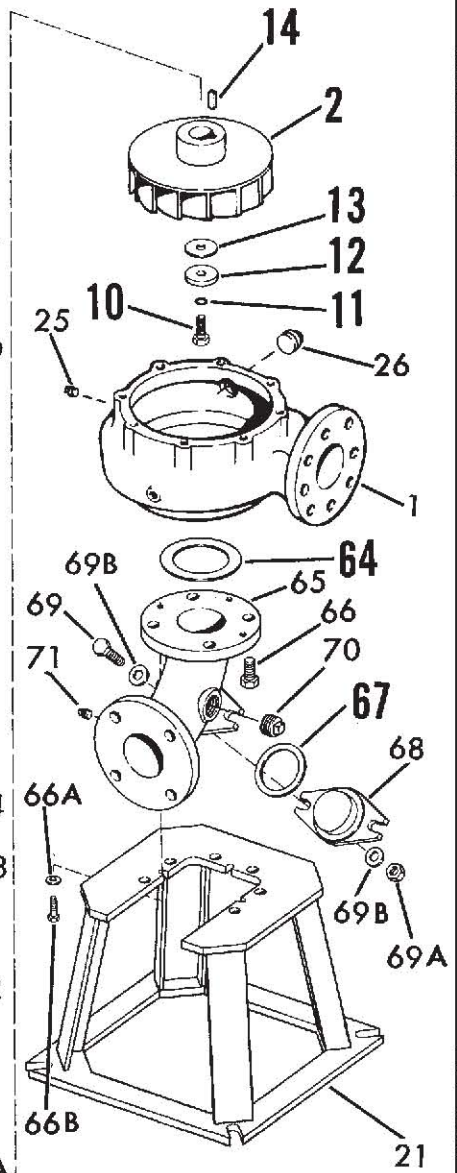
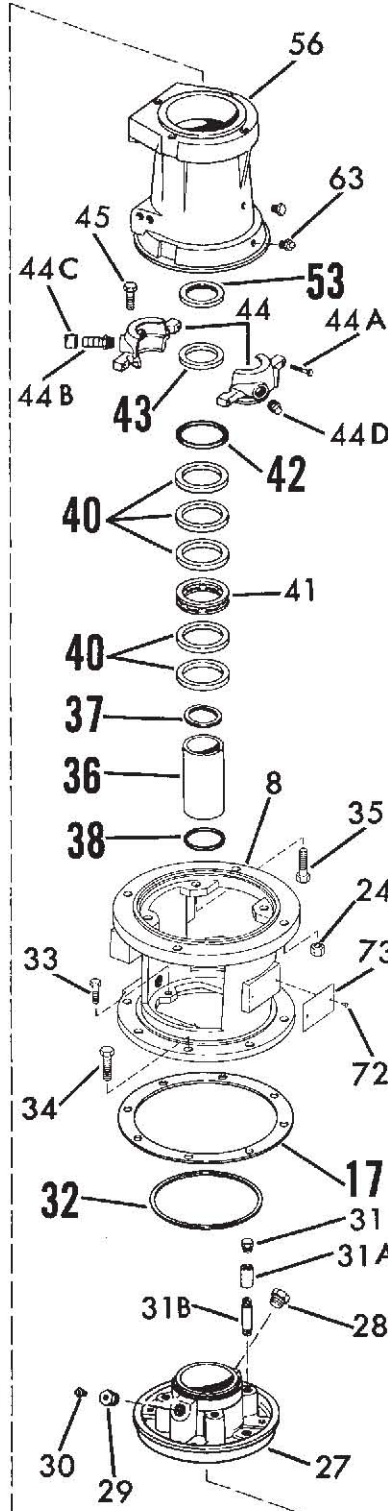
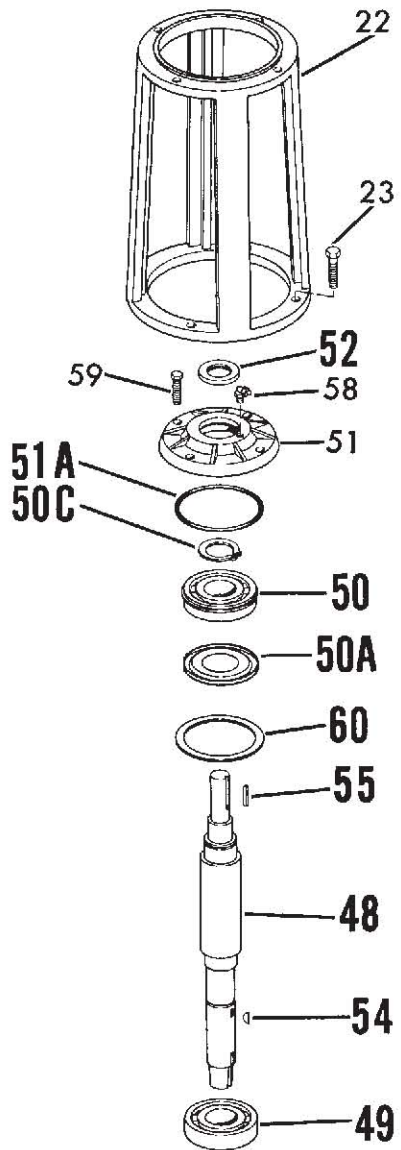
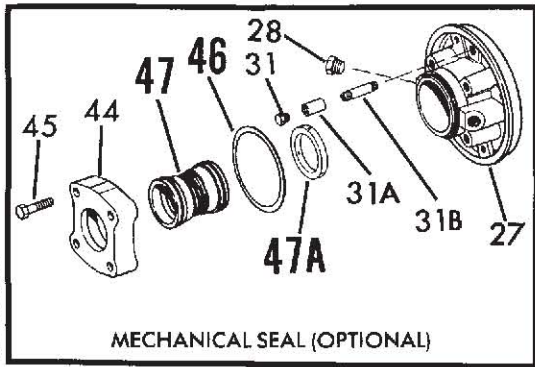


BOLD FACE NUMBERS INDICATE  
 RECOMMENDED SPARE PARTS.



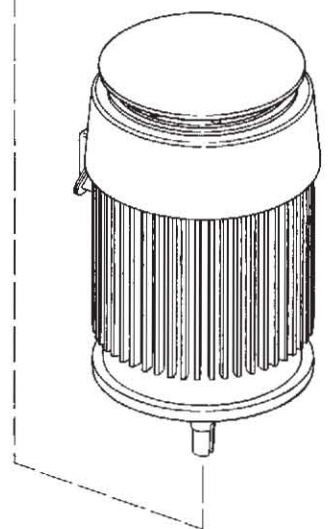
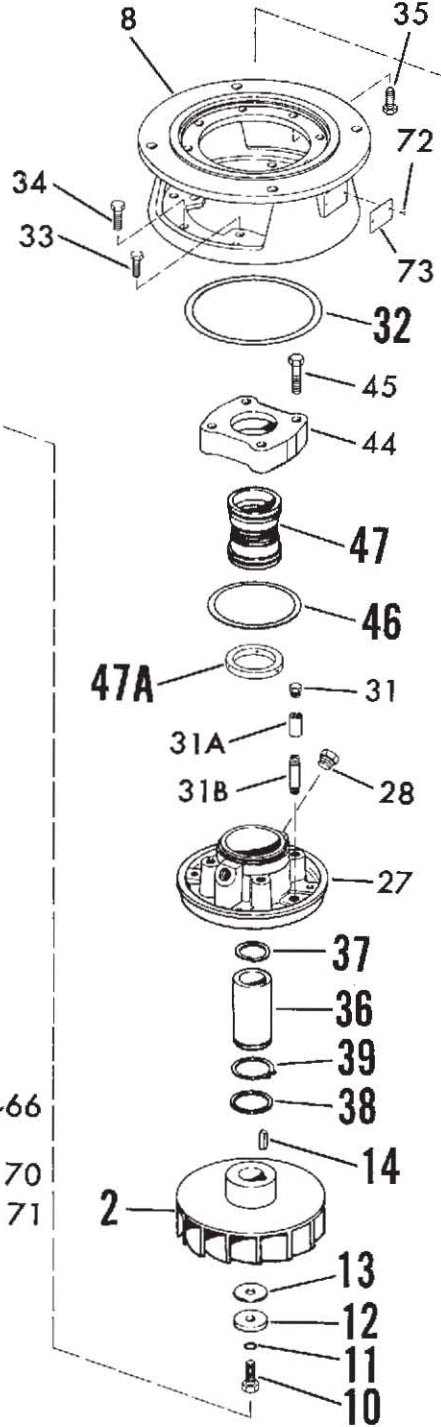
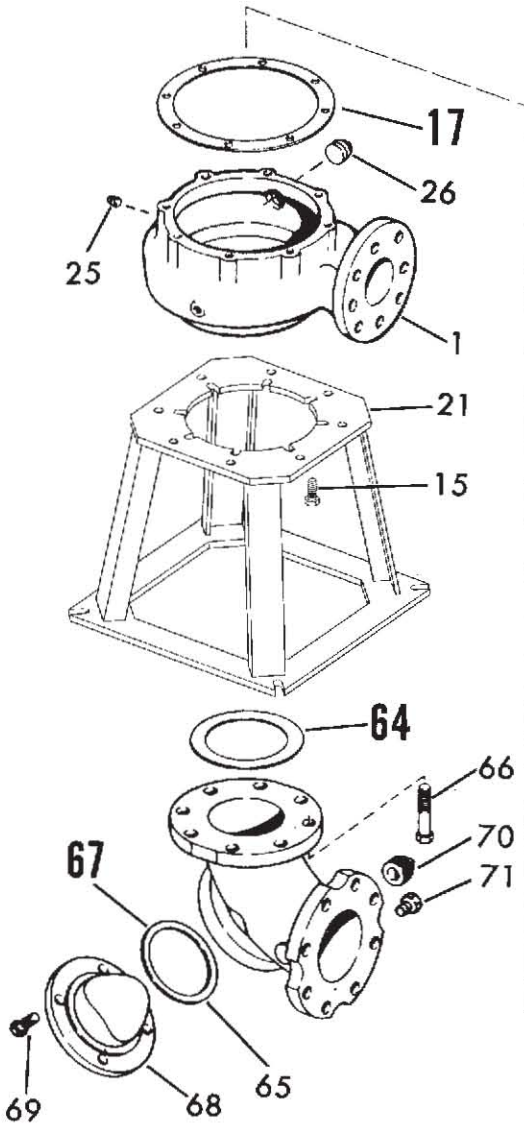
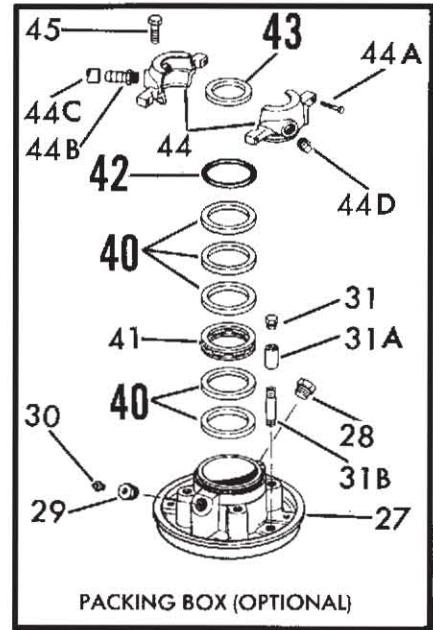
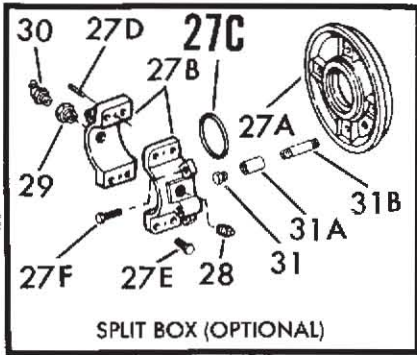
**660A SERIES**  
**MODEL 662A-663A PF 3C**  
**PIECE NUMBERS**

SECTION **660A** PAGE 5  
 DATED DECEMBER 1991  
 SUPERSEDES PAGE 5  
 DATED NOVEMBER 1988



BOLD FACE NUMBERS INDICATE  
 RECOMMENDED SPARE PARTS.

**660A SERIES**  
**MODEL 664A**  
**PIECE NUMBERS**



BOLD FACE NUMBERS INDICATE  
 RECOMMENDED SPARE PARTS.



PARTS LIST

PC. NO.	DESCRIPTION	QTY	PART NO.	MATERIAL		
				S.F.	—	—
1	CASING					
	3x3x9	1	180-0655	010		
	4x4x9	1	180-0656	010		
	3x3x12	1	180-0657	010		
	4x4x12	1	180-0658	010		
	6x6x12	1	180-0659	010		
	6x6x15	1	180-0660	010		
2	IMPELLER					
	3x3x9	1	443-2518	010		
	4x4x9	1	443-2519	010		
	3x3x12	1	443-2520	010		
	4x4x12	1	443-2521	010		
	6x6x12 PF 4C (661A, 662A, 663A)	1	443-2522	010		
	6x6x12 PF 5E (661A, 662A, 663A)	1	443-2523	010		
6x6x12 (614A) 885 RPM & 9" DIAMETER & LESS	1	443-2647	010			
6x6x15	1	443-2524	010			
8	BRACKET					
	3x3x9, 4x4x9	1	116-0487	010		
	3x3x12, 4x4x12	1	116-0488	010		
	6x6x12, PF 4C	1	116-0490	010		
	6x6x12, PF 5E	1	116-0491	010		
6x6x15	1	116-0492	010			
10	IMPELLER SCREW					
	PF 3C & 4C	1	168-1008	082		
	PF 5E	1	168-1009	082		
11	IMP. SCREW SEAL					
	PF 3C & 4C	1	908-1283	999		
	PF 5E	1	908-1284	999		
12	IMPELLER WASHER					
	PF 3C	1	908-0605	087		
	PF 4C	1	908-0457	062		
	PF 5E	1	908-0458	062		
13	IMPELLER WASHER GASKET					
	PF 3C	1	364-2038	803		
	PF 4C	1	364-2025	803		
	PF 5E	1	364-2029	803		
14	IMPELLER KEY					
	PF 3C	1	472-0250	087		
	PF 4C	1	472-0250	087		
	PF 5E	1	472-0391	087		

PC. NO.	DESCRIPTION	QTY	PART NO.	MATERIAL			
				S.F.	—	*	—
15	CAPSCREW						
	662A, 663A & 664A						
	6x6x12	8	168-0566	082			
	6x6x15	8	168-0566	082			
15A	CAPSCREW 661A						
	3x3x9	4	168-0492	082			
	4x4x9	4	168-0492	082			
	3x3x12	4	168-0564	082			
	4x4x12	4	168-0564	082			
	6x6x12	2	168-0560	082			
	6x6x15	2	168-0560	082			
17	GASKET *						
	9" CASE BORE	1	364-1015	603			
	12" CASE BORE	1	364-1326	803			
	15" CASE BORE	1	364-1327	803			
21	PUMP SUPPORT						
	FRONT FOOT 661A						
	3x3x9, 4x4x9	1	820-1622	087			
	3x3x12, 4x4x12	1	820-1623	087			
	6x6x12	1	820-0507	087			
6x6x15	1	820-0507	087				
	PUMP BASE						
	662A, 663A, 664A						
	3x3x9, 4x4x9	1	820-1387	087			
	3x3x12, 4x4x12	1	820-1387	087			
	6x6x12	1	820-1388	087			
6x6x15	1	820-1388	087				
22	PUMP SUPPORT						
	REAR FOOT 661A						
	3x3x9, 4x4x9	1	820-0033	010			
	3x3x12, 4x4x12	1	820-0033	010			
	6x6x12, PF 4C	1	820-1628	087			
6x6x12 PF 5E	1	820-1629	087				
6x6x15	1	820-1629	087				
	MOTOR SUPPORT						
	663A						
	PF 3 & 4	1	820-1397	010			
	< 284 HPH PF 5	1	820-1617	087			
≤ 284 HPH PF 5	1	820-1620	087				
22A	ADAPTOR 663A						
284 HPH PF 3 & 4	1	008-0340	010				
22B	CAPSCREW 663A						
	284 HPH PF 3 & 4	1	168-0562	082			

\*FOR MODEL 664A REFER TO FACTORY FOR SHIM GASKETS.

< LESS THAN ≥ GREATER THAN OR EQUAL TO

660A SERIES

PARTS LIST

PC. NO.	DESCRIPTION	QTY	PART NO.	MATERIAL		
				S.F.	—	—
23	CAPSCREW					
	REAR FOOT 661A					
	PF 3C	2	168-0490	082		
	PF 4C	2	168-0560	082		
	PF 5E	2	168-0668	082		
	CAPSCREW 663A					
	PF 3C & 4C	4	168-0494	082		
	PF 5E	4	168-0640	082		
24	WASHER					
	REAR FOOT 661A					
	PF 3C	2	908-0114	080		
	PF 4C	2	908-0116	080		
	PF 5E	2	908-0118	080		
	NUT 663A					
	PF 3C & 4C	4	544-0113	080		
	PF 5E	4	544-0117	080		
25	PIPE PLUG	4	600-0005	028		
26	PIPE PLUG					
	3x3x9	1	600-0006	028		
	4x4x9	1	600-0006	028		
	3x3x12	1	600-0006	028		
	4x4x12	1	600-0006	028		
	6x6x12	1	600-0009	028		
	6x6x15	1	600-0009	028		
27	STUFFING BOX					
	STANDARD PF 3C	1	812-1083	010		
	STANDARD PF 4C	1	812-1084	010		
	STANDARD PF 5E	1	812-1085	010		
27A	STUFFING BOX					
	ADAPTOR					
	OPTIONAL PF 4C	1	008-0564	010		
	OPTIONAL PF 5E	1	008-0565	010		
27B	SPLIT STUFFING BOX					
	OPTIONAL PF 4C	1	812-0305	010		
	OPTIONAL PF 5E	1	812-0309	010		
27C	GASKET OPT PF 4	1	364-2006	803		
	OPTIONAL PF 5	1	364-2027	803		
27D	PIN OPT. PF 4	2	592-0836	104		
	OPTIONAL PF 5	2	592-0361	107		
27E	CAPSCRW OPT PF 4	4	168-0382	082		
	OPTIONAL PF 5	4	168-0382	082		
27F	CAPSCRW OPT PF 4	4	168-0382	082		
	OPTIONAL PF 5	4	168-0492	082		
28	PIPE PLUG	1	600-0004	028		

PC. NO.	DESCRIPTION	QTY	PART NO.	MATERIAL		
				S.F.	—	—
29	BUSHING (PACK)	1	600-0905	387		
30	FITTING(PACK)	1	508-0012	651		
31	PIPE PLUG					
	PF 3C	1	600-0002	087		
	PF 4C	1	600-0002	087		
	PF 5E	1	600-0003	087		
31A	PIPE COUPLING					
	PF 3C	1	600-0721	387		
	PF 4C	1	600-0721	387		
	PF 5E	1	600-0722	387		
31B	NIPPLE					
	PF 3C	1	600-1103	387		
	PF 4C	1	600-1103	387		
	PF 5E	1	600-1254	387		
32	GASKET					
	PF 3C	1	364-1343	803		
	PF 4C	1	364-1344	803		
	PF 5E	1	364-1345	803		
33	CAPSCREW					
	PF 3C	4	168-0382	082		
	PF 4C	4	168-0382	082		
	PF 5E	4	168-0560	082		
34	CAPSCREW					
	3x3x9	8	168-0487	082		
	4x4x9	8	168-0487	082		
	3x3x12	8	168-0560	082		
	4x4x12	8	168-0560	082		
	6x6x12 PF 4C	8	168-0560	082		
	6x6x12 PF 5E	8	168-0562	082		
	6x6x15	8	168-0632	082		
35	CAPSCREW					
	PF 3C	4	168-0490	082		
	PF 4C	4	168-0490	082		
	PF 5E	8	168-0560	082		
36	SLEEVE (PACK)					
	PF 3 & 4	1	756-0414	108		
	PF 5	1	756-0415	108		
	CERAMIC COATED					
	PF 3 & 4	1	756-0554	548		
	PF 5	1	756-0555	548		
	MECHANICAL SEALS					
	PF 3	1	756-0410	208		
	PF 4	1	756-0411	208		
	PF 5	1	756-0412	208		
	DURA BRO PF 5	1	756-0578	208		

PARTS LIST

PC. NO.	DESCRIPTION	QTY	PART NO.	MATERIAL		
				S.F.	—	—
37	RETAINING RING					
	PF 3 & 4	1	676-0470	088		
	PF 5	1	676-0471	088		
38	GASKET					
	PF 3 & 4	1	364-0581	457		
	PF 5	1	364-0584	457		
39	RETAINING RING					
	PF 3		NOT REQUIRED			
	PF 4	1	676-0294	088		
	PF 5	1	676-0460	088		
40	PACKING					
	PF 3 & 4	5	564-0114	802		
	PF 5	5	564-0183	802		
41	LANTERN RING					
	PF 3 & 4	1	676-1105	512		
	PF 5	1	676-1106	512		
42	O-RING (PACK)					
	PF 3 & 4	1	364-0425	457		
	PF 5	1	364-2101	457		
43	SLINGER (PACK)					
	PF 3 & 4	1	764-0021	478		
	PF 5	1	764-0023	478		
	MECHANICAL SEALS SLINGER					
	PF 3 & 4	1	764-0020	478		
	PF 5	1	764-0022	478		
44	GLAND 661A PACK					
	PF 3 & 4	1	372-0320	010		
	PF 5	1	372-0321	010		
	662A & 663A PACK					
	PF 3 & 4	1	372-0515	319		
	PF 5	1	372-0516	319		
	MECHANICAL SEAL GLAND FOR JOHN CRANE TYPE 1, 21, 8TD					
	PF 3 & 4	1	372-0518	010		
	PF 5	1	372-0520	010		
	JOHN CRANE TYPE 8B2					
	PF 3 & 4	1	372-0519	104		
	PF 5	1	372-0521	104		

PC. NO.	DESCRIPTION	QTY	PART NO.	MATERIAL		
				S.F.	—	—
44	DURAMETALLIC TYPE CRO, BRO					
	PF 3 & 4	1	372-0524	010		
	PF 5	1	372-0520	010		
	DURAMETALLIC TYPE RA					
	PF 3 & 4	1	372-0530	104		
	PF 5	1	372-0527	104		
	CHESTERTON TYPE 880					
	PF 3 & 4	1	372-0530	104		
	PF 5	1	372-0531	104		
44A	CAPSCREW (PACK)	2	168-0718	082		
44B	HOSE CONNECTOR (PACK) PF 3, 4, & 5	1	600-2966	503		
44C	HOSE (PACK)	1	872-0005	505		
44D	PIPE PLUG (PACK)	3	600-0004	511		
44E	GLAND CLAMP 661A (PACK)					
	PF 3 & 4	2	204-0116	360		
	PF 5	2	204-0121	360		
45	CAPSCREW 661A PACKING	2	168-0500	082		
	662A & 663A PACKING	2	168-0502	082		
	MECHANICAL SEALS CAPSCREWS		REFER TO FACTORY			
46	GASKET (SEAL)					
	PF 3 & 4	1	364-0074	803		
	PF 5	1	364-0075	803		
47	MECHANICAL SEALS PF 3 & 4					
	J.C. 21 DBL.	1	712-6410	753		
	J.C. 8TD DBL.	1	712-6411	753		
	J.C. 88 CART.	1	712-6413	767		
	* J.C. 1 SINGLE	1	712-6409	678		
	J.C. 8B2 OUT.	1	712-6412	678		
	DURA CRO DBL.	1	712-6424	772		
	DURA X-200 CART.	1	712-6431	519		
	DURA RA OUT.	1	712-6425	566		
	CHEST. 241 CART.	1	712-6433	571		
CHEST. 880 SINGLE	1	712-6435	571			

\*REFER TO FACTORY FOR J.C. 1 SINGLE SEALS, COLLARS & SETSCREWS.

PARTS LIST

PC. NO.	DESCRIPTION	QTY	PART NO.	MATERIAL			
				S.F.	—	—	
47	POWER FRAME 5						
	J.C. 1 DBL.	1	712-6415	753			
	J.C. 8TD DBL.	1	712-6416	753			
	J.C. 88 CART.	1	712-6418	767			
	*J.C. 1 SINGLE	1	712-6414	678			
	J.C. 8B2 OUT.	1	712-6417	678			
	DURA CRO DBL.	1	712-6426	773			
	DURA BRO DBL.	1	712-6427	741			
	DURA RA OUT.	1	712-6428	566			
	CHEST. 241 CART.	1	712-6434	571			
CHEST. 880 SINGLE	1	712-6436	571				
47A	BUSHING FOR SINGLE SEALS						
	PF 3 & 4	1	224-0223	208			
	PF 5	1	224-0224	208			
48	SHAFT						
	PF 3C	1	728-0513	063			
	PF 4C	1	728-0514	063			
	PF 5E	1	728-0515	063			
49	BEARING INBOARD						
	PF 3C	1	068-0427	647			
	PF 4C	1	068-0162	647			
	PF 5E	1	068-0168	647			
49A	GREASE SHIELD						
	PF 4C	1	712-0280	087			
	PF 5E	1	712-0281	087			
50	BEARING OUTBOARD						
	PF 3C	1	068-2560	647			
	PF 4C	1	068-3004	647			
	PF 5E	2	068-2996	647			
50A	GREASE SHIELD						
	PF 3C	1	712-0283	087			
	PF 4C	1	676-0560	087			
	PF 5E	1	676-0398	010			
50B	RETAINING RING						
	PF 3C		Included with PC.50				
	PF 4C	1	676-0446	088			
	PF 5E	1	676-0447	088			
50C	RETAINING RING						
	PF 3C	1	676-0945	088			
	PF 4C	1	676-0943	088			
	LOCK WASHER						
	PF 5E	1	908-0416	080			
50D	LOCKNUT	PF 5E	1	544-0716	080		

PC. NO.	DESCRIPTION	QTY	PART NO.	MATERIAL		
				S.F.	—	—
51	BEARING CARTRIDGE					
	PF 3C	1	164-0472	010		
	PF 4C	1	164-0447	010		
	PF 5E	1	164-0448	010		
51A	O-Ring	PF 3C	1	364-0570	457	
52	GREASE SEAL					
	PF 3C	1	712-0233	653		
	PF 4C	1	712-0248	653		
	PF 5E	1	712-0241	653		
53	GREASE SEAL					
	PF 3C	1	712-0234	653		
	PF 4C	1	712-0240	653		
	PF 5E	1	712-0265	653		
54	KEY, SLEEVE					
55	KEY, SHAFT					
		PF 3C	1	472-0247	087	
		PF 4C	1	472-0250	087	
		PF 5E	1	472-0390	087	
56	POWER FRAME HOUSING					
	PF 3C	1	356-0203	010		
	PF 4C	1	356-0044	010		
	PF 5E	1	356-0045	010		
57	PIPE PLUG					
	PF 3C		NOT REQUIRED			
	PF 4C	1	600-0001	087		
	PF 5E	1	600-0001	087		
58	GREASE FITTING					
	PF 3C	1	508-0005	651		
	PF 4C	1	508-0015	651		
	PF 5E	1	508-0010	651		
59	CAPSCREWS					
	PF 3C	4	168-0492	082		
	PF 4C	3	168-0492	082		
	PF 5E	4	168-0564	082		
60	SHIM PACK					
	PF 3C	1	740-0070	517		
	CAPSCREW	PF 4C	3	168-0201	080	
	PF 5E	4	168-0202	080		
61	JAM NUT	PF 3C		NOT REQUIRED		
	PF 4C	3	544-0312	080		
	PF 5E	4	544-0316	080		
62	PIPE PLUG					
	PF 3C		NOT REQUIRED			
	PF 4C	1	600-0001	087		
	PF 5E	1	600-0001	087		

\*REFER TO FACTORY FOR J.C. 1 SINGLE SEALS, COLLARS & SETSCREWS.

# 660A SERIES

SECTION 660A PAGE 11  
 DATED DECEMBER 1991  
 SUPERSEDES PAGE 11  
 DATED NOVEMBER 1988

## PARTS LIST

PC. NO.	DESCRIPTION	QTY	PART NO.	MATERIAL			
				S.F.	—	—	—
63	GREASE FITTING						
	PF 3C	1	508-0001	651			
	PF 4C	1	508-0015	651			
	PF 5E	1	508-0010	651			
64	GASKET 662A, 663A & 664A						
	3" SUCTION	1	364-0605	603			
	4" SUCTION	1	364-0607	603			
	6" SUCTION	1	364-0609	603			
65	ELBOWS 662A, 663A & 664A						
	(STD.) 3x3	1	600-4581	010			
	(CLEANOUT) 3x3	1	816-0739	010			
	3x4	1	816-0742	010			
	(STD.) 4x4	1	600-4533	010			
	(CLEANOUT) 4x4	1	816-1015	010			
	4x6	1	816-0740	010			
	STD. W/CLNOUT 6x6	1	816-1018	010			
	6x8	1	816-1019	010			
66	CAPSCREW						
	3" SUCTION	4	168-0562	082			
	4" SUCTION	2	168-0564	082			
	4" SUCTION	6	168-0570	082			
	6" SUCTION	8	168-0636	082			
66A	WASHER						
	3" SUCTION	3	908-0112	080			
66B	CAPSCREW						
	3" SUCTION	3	168-0388	082			
67	GASKET						
	3x3	1	364-1041	453			
	3x4	1	364-1042	453			
	4x4	1	364-1043	453			
	4x6	1	364-1043	453			
	6x6	1	364-1048	478			
	6x8	1	364-1048	478			
68	HANDHOLE COVER						
	3x3	1	260-0093	010			
	3x4	1	260-0089	010			
	4x4	1	260-0088	010			
	4x6	1	260-0088	010			
	6x6	1	260-0649	010			
	6x8	1	260-0649	010			

PC. NO.	DESCRIPTION	QTY	PART NO.	MATERIAL			
				S.F.	—	—	—
69	CAPSCREW						
	3x3	2	168-0494	082			
	3x4	2	168-0494	082			
	4x4	2	168-0564	082			
	4x6	2	168-0564	082			
	6x6	4	168-0562	082			
	6x8	4	168-0562	082			
69A	NUT						
	3x3	2	544-0113	080			
	3x4	2	544-0113	080			
	4x4	2	544-0115	080			
	4x6	2	544-0115	080			
	6x6		NOT REQUIRED				
69B	WASHER						
	3x3	4	908-0114	080			
	3x4	4	908-0114	080			
	4x4	4	908-0116	080			
	4x6	4	908-0116	080			
	6x6		NOT REQUIRED				
	6x8		NOT REQUIRED				
70	PIPE PLUG						
	3x3	1	600-0006	028			
	3x4	1	600-0008	028			
	4x4	1	600-0008	028			
	4x6	1	600-0008	028			
	6x6	1	600-0009	028			
	6x8	1	600-0009	028			
71	PIPE PLUG						
	3x3	1	600-0002	087			
	3x4	1	600-0002	087			
	4x4	1	600-0002	087			
	4x6	1	600-0002	087			
	6x6	1	600-0002	087			
72	DRIVE PINS	2	708-0013	365			
73	NAMEPLATE	1	532-0045	114			
74	LEAKAGE ACCUMULATOR KIT 662A & 663A						
	PF 3 & 4	1	476-0279	645			
	PF 5	1	476-0280	645			
75	SEALANT (REQUIRED WITH PIECE 44 PACKED 662A & 663A	1	716-0025	621			

**THIS PAGE INTENTIONALLY LEFT BLANK**

**THIS PAGE INTENTIONALLY LEFT BLANK**

## WARRANTY

Seller warrants equipment (and its component parts) of its own manufacture against defects in materials and workmanship under normal use and service for one (1) year from the date of installation or start-up, or for eighteen (18) months after the date of shipment, whichever occurs first. Seller does not warrant accessories or components that are not manufactured by Seller; however, to the extent possible, Seller agrees to assign to Buyer its rights under the original manufacturer's warranty, without recourse to Seller. Buyer must give Seller notice in writing of any alleged defect covered by this warranty (together with all identifying details, including the serial number, the type of equipment, and the date of purchase) within thirty (30) days of the discovery of such defect during the warranty period. No claim made more than 30 days after the expiration of the warranty period shall be valid. Guarantees of performance and warranties are based on the use of original equipment manufactured (OEM) replacement parts. Seller assumes no responsibility or liability if alterations, non-authorized design modifications and/or non-OEM replacement parts are incorporated. If requested by Seller, any equipment (or its component parts) must be promptly returned to Seller prior to any attempted repair, or sent to an authorized service station designated by Seller, and Buyer shall prepay all shipping expenses. Seller shall not be liable for any loss or damage to goods in transit, nor will any warranty claim be valid unless the returned goods are received intact and undamaged as a result of shipment. Repaired or replaced material returned to customer will be shipped F.O.B., Seller's factory. Seller will not give Buyer credit for parts or equipment returned to Seller, and will not accept delivery of any such parts or equipment, unless Buyer has obtained Seller's approval in writing. The warranty extends to repaired or replaced parts of Seller's manufacture for ninety (90) days or for the remainder of the original warranty period applicable to the equipment or parts being repaired or replaced, whichever is greater. This warranty applies to the repaired or replaced part and is not extended to the product or any other component of the product being repaired. Repair parts of its own manufacture sold after the original warranty period are warranted for a period of one (1) year from shipment against defects in materials and workmanship under normal use and service. This warranty applies to the replacement part only and is not extended to the product or any other component of the product being repaired. Seller may substitute new equipment or improve part(s) of any equipment judged defective without further liability. All repairs or services performed by Seller, which are not covered by this warranty, will be charged in accordance with Seller's standard prices then in effect.

THIS WARRANTY IS THE SOLE WARRANTY OF SELLER AND SELLER HEREBY EXPRESSLY DISCLAIMS AND BUYER WAIVES ALL OTHER WARRANTIES EXPRESSED, IMPLIED IN LAW OR IMPLIED IN FACT, INCLUDING ANY WARRANTIES OF MERCHANTABILITY OR FITNESS FOR A PARTICULAR PURPOSE. Seller's sole obligation under this warranty shall be, at its option, to repair or replace any equipment (or its component parts) which has a defect covered by this warranty, or to refund the purchase price of such equipment or part. Under the terms of this warranty, Seller shall not be liable for (a) consequential, collateral, special or liquidated losses or damages; (b) equipment conditions caused by normal wear and tear, abnormal conditions of use, accident, neglect, or misuse of said equipment; (c) the expense of, and loss or damage caused by, repairs or alterations made by anyone other than the Seller; (d) damage caused by abrasive materials, chemicals, scale deposits, corrosion, lightning, improper voltage, mishandling, or other similar conditions; (e) any loss, damage, or expense relating to or resulting from installation, removal or reinstallation of equipment; (f) any labor costs or charges incurred in repairing or replacing defective equipment or parts, including the cost of reinstalling parts that are repaired or replaced by Seller; (g) any expense of shipment of equipment or repaired or replacement parts; or (h) any other loss, damage or expense of any nature.

The above warranty shall not apply to any equipment which may be separately covered by any alternate or special warranties.

**PERFORMANCE:** In the absence of Certified Pump Performance Tests, equipment performance is not warranted or guaranteed. Performance curves and other information submitted to Buyer are approximate and no warranty or guarantee shall be deemed to arise as a result of such submittal. All testing shall be done in accordance with Seller's standard policy under Hydraulic Institute procedures.

**LIABILITY LIMITATIONS:** Under no circumstances shall the Seller have any liability under the Order or otherwise for liquidated damages or for collateral, consequential or special damages or for loss of profits, or for actual losses or for loss of production or progress of construction, regardless of the cause of such damages or losses. In any event, Seller's aggregate total liability under the Order or otherwise shall not exceed the contract price.

**ACTS OF GOD:** Seller shall in no event be liable for delays in delivery of the equipment or other failures to perform caused by fires, acts of God, strikes, labor difficulties, acts of governmental or military authorities, delays in transportation or procuring materials, or causes of any kind beyond Seller's control.

**COMPLIANCE WITH LAW:** Seller agrees to comply with all United States laws and regulations applicable to the manufacturing of the subject equipment. Such compliance shall include: The Fair Labor Standards Acts of 1938, as amended; Equal Employment Opportunity clauses of Executive Order 11246, as amended; Occupational Safety and Health Act of 1970 and the standards promulgated thereunder, if applicable. Since compliance with the various Federal, State, and Local laws and regulations concerning occupational health and safety, pollution or local codes are affected by the use, installation and operation of the equipment and other matters over which Seller has no control, Seller assumes no responsibility for compliance with those laws and regulations, whether by way of indemnity, warranty, or otherwise. It is incumbent upon the Buyer to specify equipment which complies with local codes and ordinances.



**AURORA®**

800 Airport Road  
North Aurora, Illinois 60542  
630-859-7000  
[www.aurorapump.com](http://www.aurorapump.com)