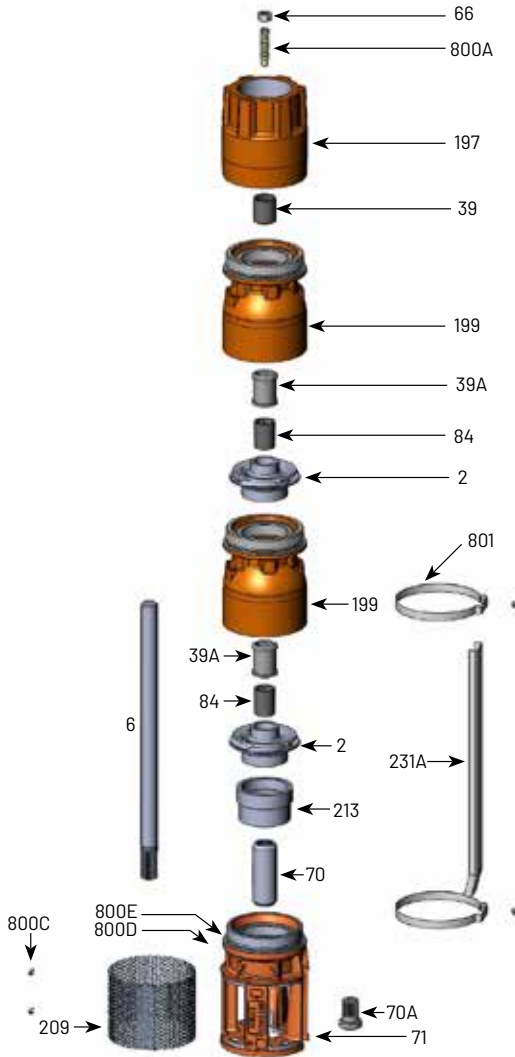


5TMH SERIES

75 GPM, 60HZ, NPT

Section	ST-5TMH
Page	1.0
Date	June 4, 2018
Supersedes	July 15, 2015


TABLE 1 – 5TMH-75 Common Parts Group

Item Number	Part Number	Description	Required Qty
2	See Table 3	Impeller	1 Per Stage
6	See Table 4	Shaft	1
39	M15886	Vesconite Bearing	1
39A	S13636	Neoprene Bearing	1 Per Stage
66	M15881	Upthrust Nut, 1/2-13 LH	1
70	B86966	6" Motor Coupling	1
70A	M15847	4" Motor Coupling	1
71	M16053	5TMH 4"/6" Motor Suction Bracket*	1
84	S05301	1" Collet	1 Per Stage
199	B86446	5TMH-75 Bowl (incl. Neoprene Bearing)	1 Per Stage
197	M16054	5TMH Discharge, NPT**	1
209	M16056	Suction Screen	1
213	M16272	Intake Adapter Insert	1
231A	308666000	Cable Guard, 12' material	1
800A	M15882	Upthrust Screw, 1/2-13 LH	1
800C	M15937	Screen Screw, 8-32 x 3/8 Panhead	2
800D	M10199	Rivet, 3/32	2
800E	M09653	Nameplate	1
801	M15878	5TMH Cable Guard Clamp	2
Not Illustrated	M09970	Tag, Upthrust Adjustment	1
Not Illustrated	B86187	Bolt Kit, 6" Motor	1
Not Illustrated	M15847	Adapter Kit, 4" Motor	1
Not Illustrated	BE972	Owner's Manual	1

*Note 1: Motor bracket is dual machined for 4" and 6" motors

**Note 2: B86420 includes Items 39, 66, 197, 800A

**Note 3: B86445 includes 71, 213

TABLE 2 – Additional Staging

Item Number	Part Number	Description	Required Qty
39A	S13636	Neoprene Bearing	1 Per Stage
	S10708	Bronze Bearing	
199	B86446	5TMH-75 Bowl (incl. Neoprene Bearing)	1 Per Stage
84	S05301	1" Collet	1 Per Stage
2	See Table 3	Impeller	1 Per Stage

Note 4: Bronze bearing may be used in place of the standard Neoprene Bearing.

TABLE 3

Item Number	Part Number	Description	Required Qty
2	M16029	5TMH-75 "A" Impeller 4.275"	See Table 4
2	M16030	5TMH-75 "B" Impeller 3.793"	

TABLE 4 – 60 Hz Staging Requirements Build Table

Series	HP/kW	Stages	"A" Trim	"B" Trim	416 SS shaft		Ion-nitride shaft		Shaft Length (in/mm)	Cable Guard Length ⁷	Assembled Pump Length (motor not included)
					Pump catalog number	416 SS Shaft p/n ⁶	Pump catalog number	Ion Nitride Shaft p/n ⁶			
5TMH5-75	5/3.7	4	3	1	B86830	M16603	B86830N	M16609	26.75 in/680 mm	23.5 in/597 mm	33.2 in/844 mm
5TMH7.5-75	7.5/5.6	6	5	1	B86831	M16604	B86831N	M16610	37.25 in/947 mm	34 in/864 mm	43.7 in/1110 mm
5TMH10-75	10/7.5	8	6	2	B86832	M16280	B86832N	M16331	47.75 in/1213 mm	44.5 in/1131 mm	54.2 in/1377 mm
5TMH15-75	15/11.2	11	11		B86545	M16281	B86545N	M16332	63.5 in/1613 mm	60.25 in/1531 mm	69.95 in/1777 mm
5TMH20-75	20/14.9	15	15		B86833	M16606	B86833N	M16612	84.5 in/2147 mm	81.25 in/2064 mm	90.95 in/2311 mm
5TMH25-75	25/18.6	19	18	1	B86834	M16607	B86834N	M16613	105.5 in/2680 mm	102.25 in/2598 mm	111.95 in/2844 mm

Note 5: Effective assembled pump diameter with cable guard lying flat against pump is 5.625 inches

Note 6: 4" and 6" pumps use the same shaft and cable guards.

Note 7: Cable Guard 308666000 sold in 12' (3.66m) lengths only.