

# SOLIDS HANDLING WASTEWATER PUMPS

## 3MW SERIES

The heavy-duty Myers 3MW Series Solids Handling Wastewater Pumps are designed for use in residential raw sewage and light commercial applications. The pumps are available in single and dual seal configurations. The enclosed two-vane impeller provides high efficiency pumping and easily handles trashy solids normally found in sewage applications. This series is offered with vertical discharge and easily adapts to a quick-disconnect slide rail system.

### APPLICATIONS

Municipal sewage lift stations, industrial sewage transfer, and dewatering of storm water.

### FEATURES

- ◆ **Motor Housing:** Cast iron for efficient heat transfer and corrosion resistance.
- ◆ **Motor:** 1, 1½, 2 and 3 HP single or three phase, 60 Hz, 3450 RPM. 1½, 2 and 3 HP single or three phase, 60 Hz, 1750 RPM. Single phase PSC motors have built-in winding overload protection, oil-cooled and lubricated.
- ◆ **High Efficient Cast Iron Volute:** Corrosion resistant. 3" NPT vertical discharge with legs.
- ◆ **Enclosed Two Vane Impeller:** High efficiency. Standard cast iron construction.
- ◆ **Volute/Impeller Seal Ring:** Maintains high efficiency and reduces recirculation. Replaceable.
- ◆ **Pump Out Vanes:** Help keep trash from seal, reduces pressure at seal faces.
- ◆ **Ball Bearings:** Upper and lower ball support rotor. Take radial and thrust loads.
- ◆ **Power and Control Cords:** Jacket sealed with compression fittings. Individual wires potted with epoxy to prevent wicking in case of cord damage.
- ◆ **Shaft Seals:** Carbon and ceramic faces. Dual tandem seals extends motor life. Optional tungsten carbide.
- ◆ **Seal Leak Probes:** Optional probes (dual seal only) detect water leakage in seal housing. Activates warning light.

### SPECIFICATIONS

- ◆ **Capacities To:** 330 GPM (20.82 LPS)
- ◆ **Heads To:** 92 ft. (28.0 m)
- ◆ **Solids Handling:** For 1750 = 2½in. (63.5 mm); For 3450 = 2 in (50.6 mm)
- ◆ **Intermittent Liquid Temp.:** Up to 140°F (up to 60°C)
- ◆ **Winding Insulation Temp. (Class B):** 260°F (130°C)
- ◆ **Motor Electrical Data:** (single phase are psc type; three phase need Myers control panel.); 1750 rpm (3450 rpm); 1-3 HP (1-3 HP); 208/230 volt 1Ø, 60 Hz, 1750 rpm; 200/230/460/575 volt, 3 phase, 60 Hz 3Ø, 60 Hz
- ◆ **Discharge, Vertical:** 3" NPT
- ◆ **Minimum Sump Dia. (Duplex):** 48 in. (1.2 m)
- ◆ **Motor Housing, Seal Housing, Volute Case:** Cast iron; class 30 ASTM A48
- ◆ **Enclosed 2-Vane Impeller:** Ductile iron, class 65 ASTM A536
- ◆ **Power and Control Cords:** SOOW / SJOOW
- ◆ **Mechanical Seals, Standard, Optional:** Single, Type 21; carbon and ceramic; Tungsten carbide
- ◆ **Pump, Motor Shaft:** 416 SST
- ◆ **Fasteners:** 300 series SST

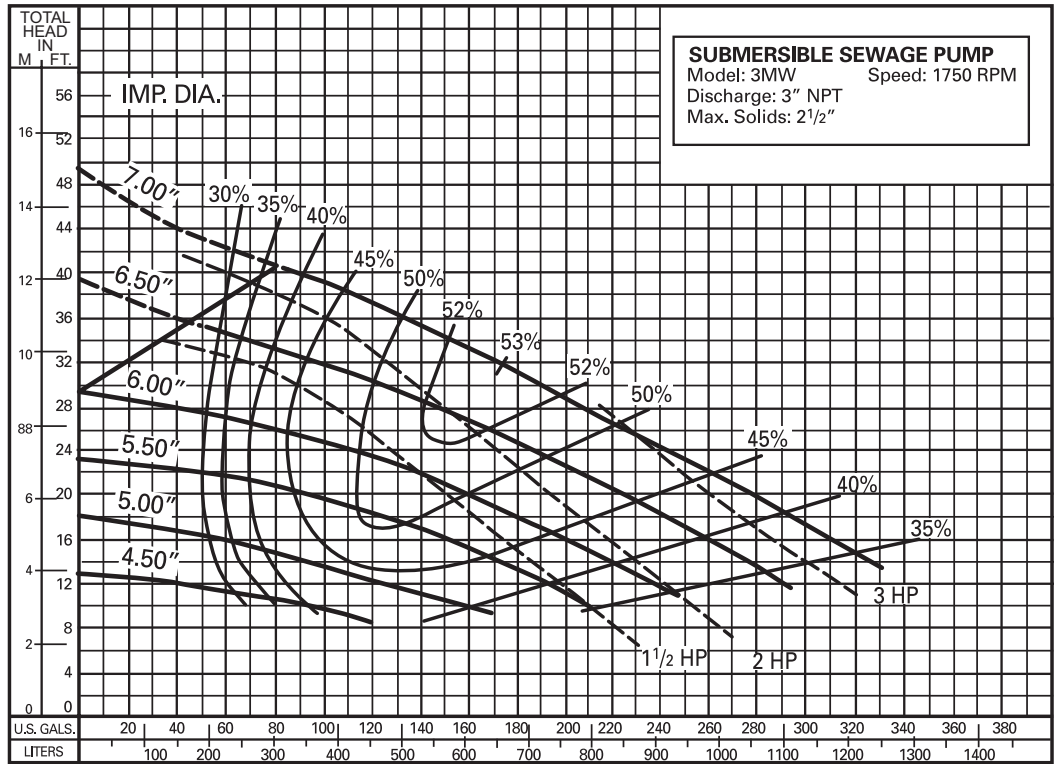


  
 C US  
 Tested & Certified  
 to CSA 108.

# SOLIDS HANDLING WASTEWATER PUMPS 3MW SERIES

## PERFORMANCE DATA

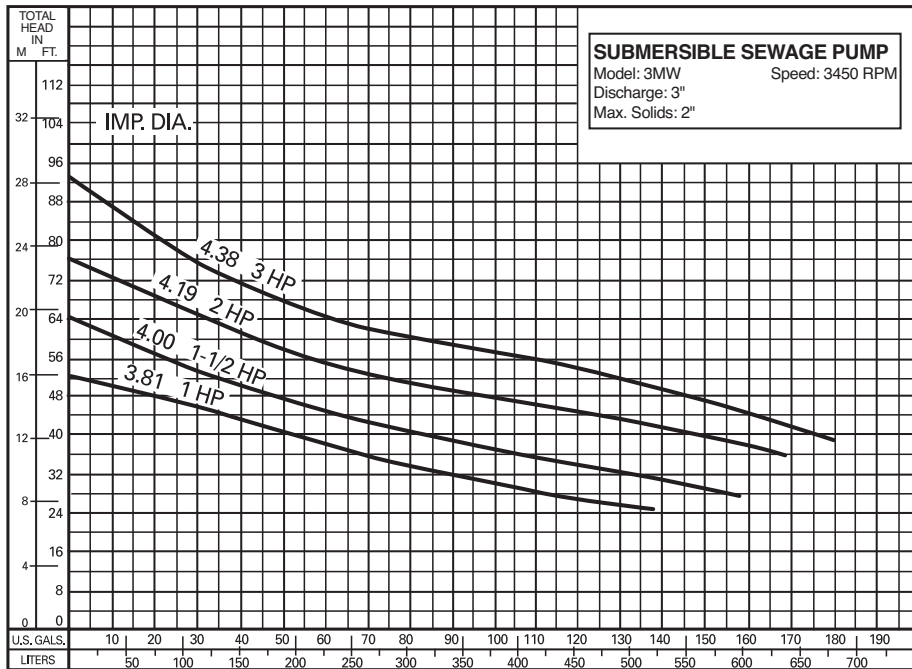
1750 RPM



AVAILABLE MODELS	MOTOR ELECTRICAL DATA								
	MODEL	HP	PH	VOLTS	HZ	START AMPS	RUN AMPS	RUN KW	START KVA
3MW15M4-01	1.5	1	208	60	39.9	16.6	2.7	8.3	A
3MW15M4-21	1.5	1	230	60	33.4	15	2.3	7.7	A
3MW15M4-03	1.5	3	208	60	45	11	2.2	16.2	F
3MW15M4-23	1.5	3	230	60	48	10	2.2	19.1	H
3MW15M4-43	1.5	3	460	60	24	5	2.2	19.1	H
3MW15M4-53	1.5	3	575	60	19	4	2.2	18.9	H
3MW20M4-01	2	1	208	60	39.9	17.7	3.4	8.3	A
3MW20M4-21	2	1	230	60	33.4	16	3	7.7	A
3MW20M4-03	2	3	208	60	45	13	2.9	16.2	F
3MW20M4-23	2	3	230	60	48	12	2.9	19.1	H
3MW20M4-43	2	3	460	60	24	6	2.9	19.1	H
3MW20M4-53	2	3	575	60	19	4.8	2.9	18.9	H
3MW30M4-21	3	1	230	60	33.4	20	3.8	7.7	A
3MW30M4-03	3	3	208	60	45	15	3.5	16.2	F
3MW30M4-23	3	3	230	60	48	13.5	3.5	19.1	H
3MW30M4-43	3	3	460	60	24	6.8	3.5	19.1	H
3MW30M4-53	3	3	575	60	19	5.5	3.5	18.9	H

PERFORMANCE DATA

3450 RPM



Pump performance is based on clear water (1.0 specific gravity @ 68°F) and pump fluid end (hydraulic) efficiency. Motor data based on 40°C ambient temperature.

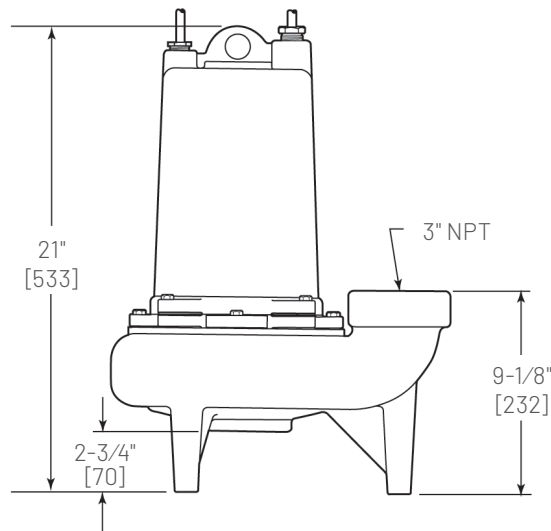
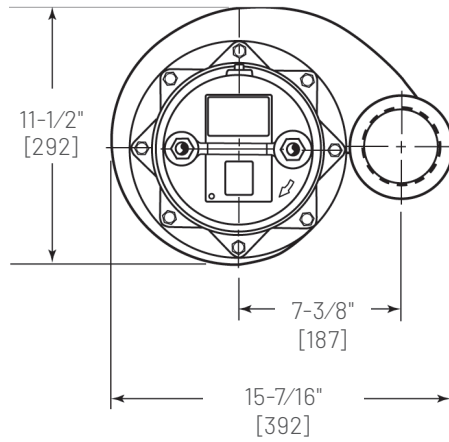
AVAILABLE MODELS	MOTOR ELECTRICAL DATA								
	STANDARD	HP	PH	VOLTS	HZ	START AMPS	RUN AMPS	RUN KW	START KVA
3MW10M2-01	1	1	208	60	39.9	11.4	2.7	8.3	F
3MW10M2-21	1	1	230	60	33.4	10.3	2.4	7.7	F
3MW10M2-03	1	3	208	60	30	7.7	2.1	10.8	J
3MW10M2-23	1	3	230	60	32	7	2.1	12.8	K
3MW10M2-43	1	3	460	60	16	3.5	2.1	12.8	K
3MW10M2-53	1	3	575	60	13	2.8	2.1	13.0	K
3MW15M2-01	1.5	1	208	60	39.9	14.8	3.3	8.3	F
3MW15M2-21	1.5	1	230	60	33.4	12.8	3	7.7	F
3MW15M2-03	1.5	3	208	60	30	8.8	2.7	10.8	J
3MW15M2-23	1.5	3	230	60	32	8	2.7	12.8	K
3MW15M2-43	1.5	3	460	60	16	4	2.7	12.8	K
3MW15M2-53	1.5	3	575	60	13	3.2	2.7	13.0	K
3MW20M2-01	2	1	208	60	63	17.7	3.5	13.1	D
3MW20M2-21	2	1	230	60	63	16	3.5	14.5	E
3MW20M2-03	2	3	208	60	53	13	3.4	19.1	H
3MW20M2-23	2	3	230	60	50	12	3.4	19.9	H
3MW20M2-43	2	3	460	60	25	6	3.4	19.9	H
3MW20M2-53	2	3	575	60	20	4.8	3.4	19.9	H
3MW30M2-21	3	1	230	60	63	19	4.3	14.5	E
3MW30M2-03	3	3	208	60	53	14.7	4.2	19.1	H
3MW30M2-23	3	3	230	60	50	13.3	4.2	19.9	H
3MW30M2-43	3	3	460	60	25	6.7	4.2	19.9	H
3MW30M2-53	3	3	575	60	20	5.2	4.2	19.9	H

# SOLIDS HANDLING WASTEWATER PUMPS 3MW SERIES

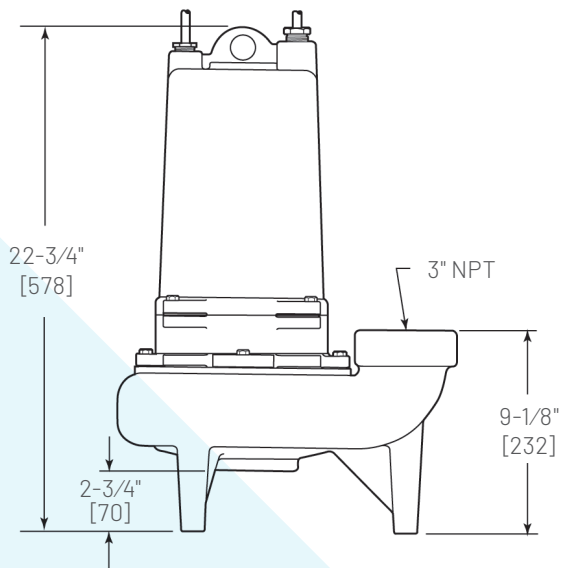
## DIMENSIONAL DATA

### 1750 RPM

Dimensions in inches,  
[ ] Dimensions in mm



Single Seal

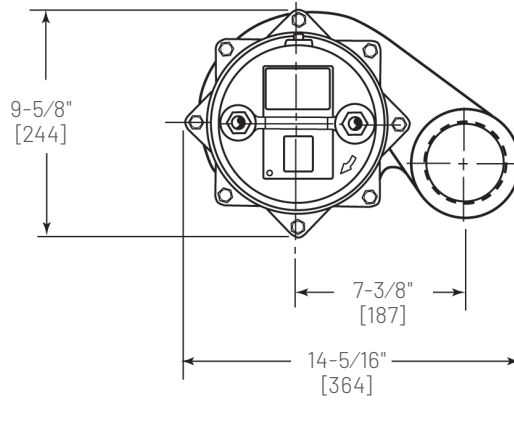


Dual Seal

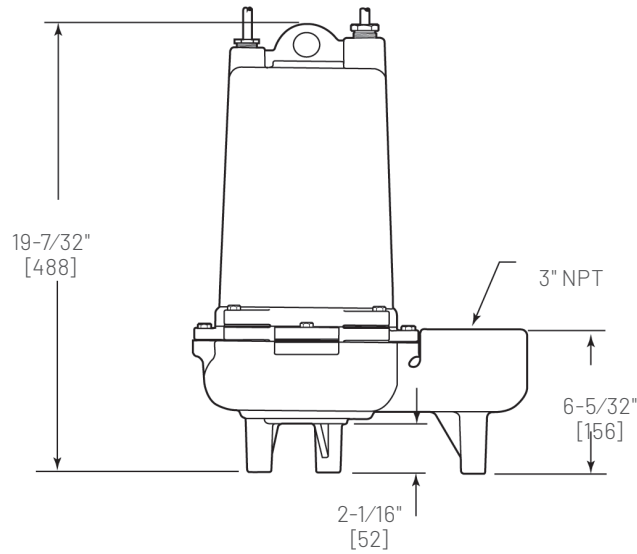
**DIMENSIONAL DATA**

**3450 RPM**

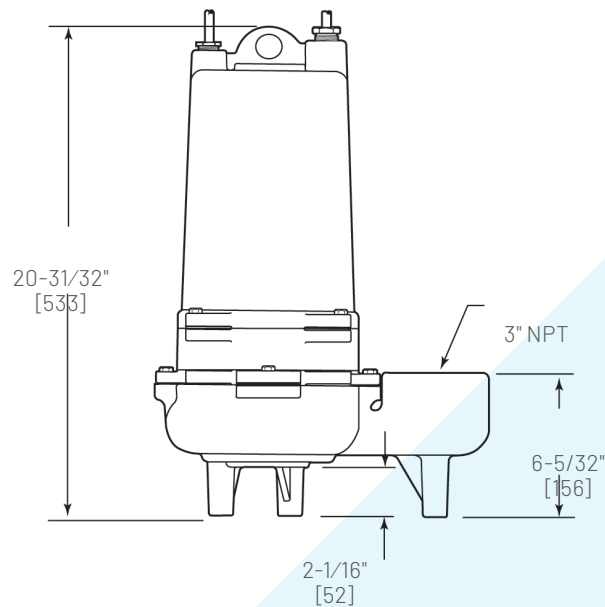
Dimensions in inches,  
[ ] Dimensions in mm



Single Seal



Dual Seal



## SOLIDS HANDLING WASTEWATER PUMPS 3MW SERIES

### ORDERING INFORMATION

MODEL NUMBER	ENGINEERING NUMBER	HP	MAX CAPACITY	MAX HEAD	DISCHARGE NPT	SOLIDS HANDLING	VOLTS	FULL LOAD AMPS	PHASE	CORD LENGTH	SWITCH
3MW15M4-01	26471E000	1-1/2	232	34	3"	2-1/2"	200	16.6	1	20'	M
3MW15M4-21	26471E001	1-1/2	232	34	3"	2-1/2"	230	15.0	1	20'	M
3MW15M4-03	26471E002	1-1/2	232	34	3"	2-1/2"	200	11.0	3	20'	M
3MW15M4-23	26471E003	1-1/2	232	34	3"	2-1/2"	230	10.0	3	20'	M
3MW15M4-43	26471E004	1-1/2	232	34	3"	2-1/2"	460	5.0	3	20'	M
3MW15M4-53	26471E005	1-1/2	232	34	3"	2-1/2"	575	4.0	3	20'	M
3MW20M4-01	26471E010	2	270	42	3"	2-1/2"	200	17.7	1	20'	M
3MW20M4-21	26471E011	2	270	42	3"	2-1/2"	230	16.0	1	20'	M
3MW20M4-03	26471E012	2	270	42	3"	2-1/2"	200	13.0	3	20'	M
3MW20M4-23	26471E013	2	270	42	3"	2-1/2"	230	12.0	3	20'	M
3MW20M4-43	26471E014	2	270	42	3"	2-1/2"	460	6.0	3	20'	M
3MW20M4-53	26471E015	2	270	42	3"	2-1/2"	575	4.8	3	20'	M
3MW30M4-21	26471E021	3	330	28	3"	2-1/2"	230	20.0	1	20'	M
3MW30M4-03	26471E022	3	330	28	3"	2-1/2"	200	15.0	3	20'	M
3MW30M4-23	26471E023	3	330	28	3"	2-1/2"	230	13.5	3	20'	M
3MW30M4-43	26471E024	3	330	28	3"	2-1/2"	460	6.8	3	20'	M
3MW30M4-53	26471E025	3	330	28	3"	2-1/2"	575	5.5	3	20'	M
3MW10M2-01	26473E000	1	135	52	3"	2"	200	11.4	1	20'	M
3MW10M2-21	26473E001	1	135	52	3"	2"	230	10.3	1	20'	M
3MW10M2-03	26473E002	1	135	52	3"	2"	200	7.7	3	20'	M
3MW10M2-23	26473E003	1	135	52	3"	2"	230	7.0	3	20'	M
3MW10M2-43	26473E004	1	135	52	3"	2"	460	3.5	3	20'	M
3MW10M2-53	26473E005	1	135	52	3"	2"	575	2.8	3	20'	M
3MW15M2-01	26473E010	1-1/2	155	64	3"	2"	200	14.8	1	20'	M
3MW15M2-21	26473E011	1-1/2	155	64	3"	2"	230	12.8	1	20'	M
3MW15M2-03	26473E012	1-1/2	155	64	3"	2"	200	8.8	3	20'	M
3MW15M2-23	26473E013	1-1/2	155	64	3"	2"	230	8.0	3	20'	M
3MW15M2-43	26473E014	1-1/2	155	64	3"	2"	460	4.0	3	20'	M
3MW15M2-53	26473E015	1-1/2	155	64	3"	2"	575	3.2	3	20'	M
3MW20M2-01	26473E020	2	170	76	3"	2"	200	17.7	1	20'	M
3MW20M2-21	26473E021	2	170	76	3"	2"	230	16.0	1	20'	M
3MW20M2-03	26473E022	2	170	76	3"	2"	200	13.0	3	20'	M
3MW20M2-23	26473E023	2	170	76	3"	2"	230	12.0	3	20'	M
3MW20M2-43	26473E024	2	170	76	3"	2"	460	6.0	3	20'	M
3MW20M2-53	26473E025	2	170	76	3"	2"	575	4.8	3	20'	M
3MW30M2-21	26473E030	3	180	92	3"	2"	230	19.0	1	20'	M
3MW30M2-03	26473E031	3	180	92	3"	2"	200	14.7	3	20'	M
3MW30M2-23	26473E032	3	180	92	3"	2"	230	13.3	3	20'	M
3MW30M2-43	26473E033	3	180	92	3"	2"	460	6.7	3	20'	M
3MW30M2-53	26473E034	3	180	92	3"	2"	575	5.2	3	20'	M
3MW15DM4-01	26472E000	1-1/2	232	34	3"	2-1/2"	200	16.6	1	20'	M
3MW15DM4-21	26472E001	1-1/2	232	34	3"	2-1/2"	230	15.0	1	20'	M
3MW15DM4-03	26472E002	1-1/2	232	34	3"	2-1/2"	200	11.0	3	20'	M
3MW15DM4-23	26472E003	1-1/2	232	34	3"	2-1/2"	230	10.0	3	20'	M
3MW15DM4-43	26472E004	1-1/2	232	34	3"	2-1/2"	460	5.0	3	20'	M
3MW15DM4-53	26472E005	1-1/2	232	34	3"	2-1/2"	575	4.0	3	20'	M
3MW20DM4-01	26472E010	2	270	42	3"	2-1/2"	200	17.7	1	20'	M
3MW20DM4-21	26472E011	2	270	42	3"	2-1/2"	230	16.0	1	20'	M
3MW20DM4-03	26472E012	2	270	42	3"	2-1/2"	200	13.0	3	20'	M
3MW20DM4-23	26472E013	2	270	42	3"	2-1/2"	230	12.0	3	20'	M
3MW20DM4-43	26472E014	2	270	42	3"	2-1/2"	460	6.0	3	20'	M
3MW20DM4-53	26472E015	2	270	42	3"	2-1/2"	575	4.8	3	20'	M
3MW30DM4-21	26472E021	3	330	28	3"	2-1/2"	230	20.0	1	20'	M

ORDERING INFORMATION

MODEL NUMBER	ENGINEERING NUMBER	HP	MAX CAPACITY	MAX HEAD	DISCHARGE NPT	SOLIDS HANDLING	VOLTS	FULL LOAD AMPS	PHASE	CORD LENGTH	SWITCH
3MW30DM4-03	26472E022	3	330	28	3"	2-1/2"	200	15.0	3	20'	M
3MW30DM4-23	26472E023	3	330	28	3"	2-1/2"	230	13.5	3	20'	M
3MW30DM4-43	26472E024	3	330	28	3"	2-1/2"	460	6.8	3	20'	M
3MW30DM4-53	26472E025	3	330	28	3"	2-1/2"	575	5.5	3	20'	M
3MW10DM2-01	26474E000	1	135	52	3"	2"	200	11.4	1	20'	M
3MW10DM2-21	26474E001	1	135	52	3"	2"	230	10.3	1	20'	M
3MW10DM2-03	26474E002	1	135	52	3"	2"	200	7.7	3	20'	M
3MW10DM2-23	26474E003	1	135	52	3"	2"	230	7.0	3	20'	M
3MW10DM2-43	26474E004	1	135	52	3"	2"	460	3.5	3	20'	M
3MW10DM2-53	26474E005	1	135	52	3"	2"	575	2.8	3	20'	M
3MW15DM2-01	26474E010	1-1/2	155	64	3"	2"	200	14.8	1	20'	M
3MW15DM2-21	26474E011	1-1/2	155	64	3"	2"	230	12.8	1	20'	M
3MW15DM2-03	26474E012	1-1/2	155	64	3"	2"	200	8.8	3	20'	M
3MW15DM2-23	26474E013	1-1/2	155	64	3"	2"	230	8.0	3	20'	M
3MW15DM2-43	26474E014	1-1/2	155	64	3"	2"	460	4.0	3	20'	M
3MW15DM2-53	26474E015	1-1/2	155	64	3"	2"	575	3.2	3	20'	M
3MW20DM2-01	26474E020	2	170	76	3"	2"	200	17.7	1	20'	M
3MW20DM2-21	26474E021	2	170	76	3"	2"	230	16.0	1	20'	M
3MW20DM2-03	26474E022	2	170	76	3"	2"	200	13.0	3	20'	M
3MW20DM2-23	26474E023	2	170	76	3"	2"	230	12.0	3	20'	M
3MW20DM2-43	26474E024	2	170	76	3"	2"	460	6.0	3	20'	M
3MW20DM2-53	26474E025	2	170	76	3"	2"	575	4.8	3	20'	M
3MW30DM2-21	26474E030	3	180	92	3"	2"	230	19.0	1	20'	M
3MW30DM2-03	26474E031	3	180	92	3"	2"	200	14.7	3	20'	M
3MW30DM2-23	26474E032	3	180	92	3"	2"	230	13.3	3	20'	M
3MW30DM2-43	26474E033	3	180	92	3"	2"	460	6.7	3	20'	M
3MW30DM2-53	26474E034	3	180	92	3"	2"	575	5.2	3	20'	M



293 Wright St  
 Delavan, WI 53115  
 Ph: 888.987.8677  
 Fx: 800.426.9446

490 Pinebush Rd, Unit 4  
 Cambridge, Ontario N1T 0A5, Canada  
 Ph: 800.363.7867  
 Fx: 888.606.5484

pentair.com

All indicated Pentair trademarks and logos are property of Pentair. Third party registered and unregistered trademarks and logos are the property of their respective owners. Because we are continuously improving our products and services, Pentair reserves the right to change specifications without prior notice. Pentair is an equal opportunity employer.

©2023 Pentair. All Rights Reserved.

K3818 (08-01-23)