

# RESIDENTIAL SEWAGE PUMP

## CMV5

The Myers CMV5 sewage pump provides powerful lift in demanding residential installations. This economical pump features a combination of cast iron and thermoplastic construction for outstanding corrosion resistance. Solids up to 2" in diameter easily pass through the specially designed recessed vortex impeller.

### APPLICATIONS

Residential sewage, high-capacity sump, and effluent.



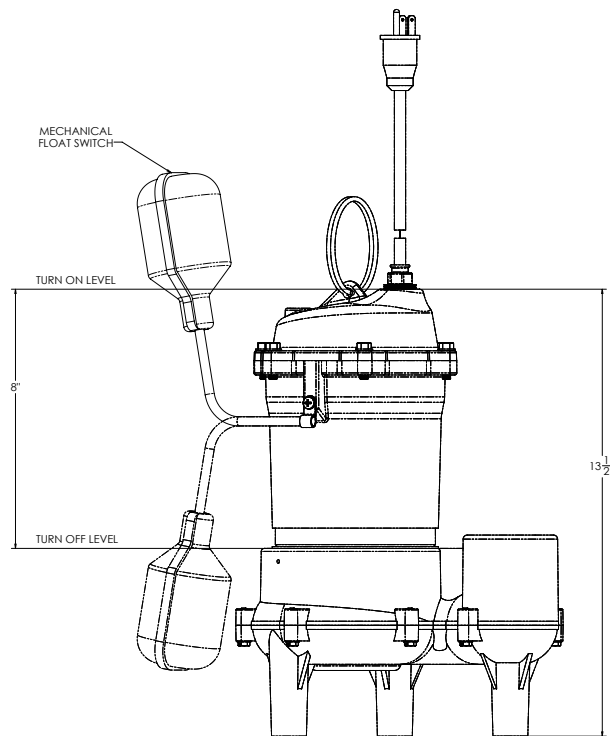
### FEATURES

- **STRONGER STARTS**  
High-torque, permanent split capacitor (PSC) motor - no relays or starting switches to wear out.
- **HANDLES THE HEAT**  
High-endurance, oil-cooled motor for continuous bearing lubrication and critical heat dissipation.
- **THERMAL OVERLOAD**  
Heat sensor overload protection with automatic reset when motor cools to a safe operating temperature.
- **VERSATILE APPLICATIONS**  
Effective and efficient performance in septic tank sewage, effluent, and high capacity sump applications.
- **LONGER BEARING LIFE**  
Recessed impeller reduces radial bearing loads, increasing bearing life.
- **FREE-FLOW DESIGN**  
Recessed impeller design also improves the free flow of solids up to 2".

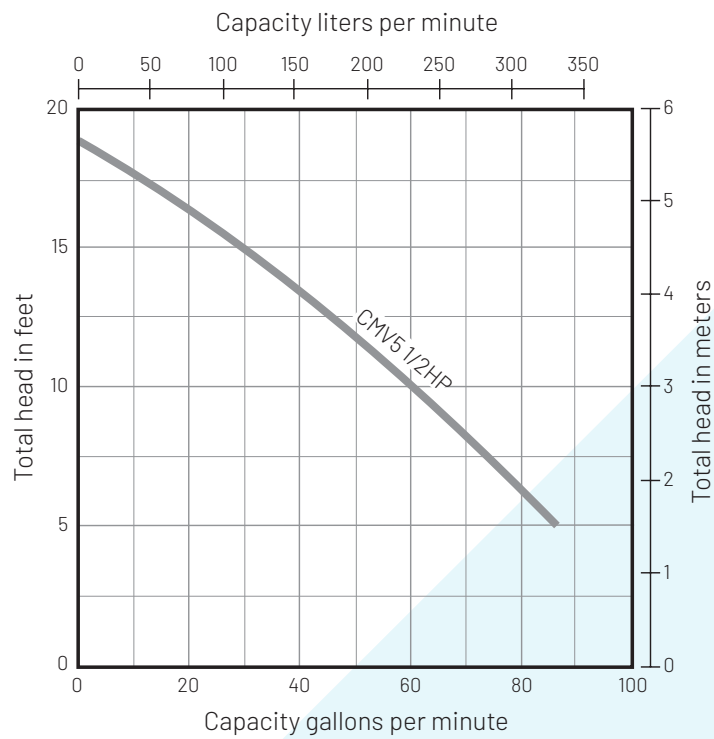
## SPECIFICATIONS & PERFORMANCE

CAPACITIES	87 GPM (329 LPM)
SHUT-OFF HEAD	19' (5.8 m)
SOLIDS HANDLING	2" (50.8 mm)
LIQUIDS HANDLING	Raw sewage, effluent and drain water
INTERMITTENT LIQUID TEMPERATURE	Up to 140°F (60°C)
MOTOR/ELECTRICAL DATA	1/2 HP, permanent split capacitor type, 1625 RPM, 115V, 12A, 1Ø, 60Hz
ACCEPTABLE PH RANGE	6-9
DISCHARGE, NPT	2"
MOTOR HOUSING	Cast iron
POWER CORD	20' (6.1m)', 16/3, SJTW
IMPELLER	Recessed, thermoplastic
VOLUTE CASE	Thermoplastic
SHAFT SEAL	Type 11A, carbon and ceramic
MINIMUM BASIN DIAMETER	Simplex: 18" (457 mm) Duplex: 30" (762 mm)

**DIMENSIONAL DATA**



**PUMP PERFORMANCE**



## ORDERING INFORMATION

CATALOG NUMBER	HP	VOLTS	PHASE/ CYCLES	AMPS	DISCHARGE SIZE NPT	SWITCH TYPE	CORD LENGTH	APPROX. WT. LBS
CMV5A-11	1/2	115	1/60	12	2"	Automatic	20'	50
CMV5M-11	1/2	115	1/60	12	2"	Manual	20'	50



293 Wright Street,  
Delavan, WI 53115  
USA  
Phone: 888.782.7483  
Orders Fax: 800.426.9446

490 Pinebush Road  
Unit 4  
Cambridge, Ontario N1T 0A5  
Canada  
Phone: 800.363.7867  
Orders Fax: 888.606.5484

for more info, visit [pentair.com](http://pentair.com)

