

WASTEWATER GRINDER PUMPS

VRS1 SERIES 1HPS

The Myers VR1 Series Wastewater Grinder Pumps feature a patented axial cutter technology that easily slices through solids and trash found in domestic wastewater without roping or clogging. The Grinder Pumps come with many standard features and are easy to install in residential settings.

APPLICATIONS

Residential wastewater.

FEATURES

- ◆ **Wide Angle Float Switch:** Piggy-back cord for easy maintenance.
- ◆ **Cable Entry System:** Cable jacket sealed by compression fitting and individual wires sealed by compression grommet for double seal protection against water ingress.
- ◆ **Oil-Filled Motor:** Maximizes heat dissipation and provides constant bearing lubrication for long life. High torque start/run capacitor for single phase motors for assured starting under heavy loads. Internal capacitors eliminate need for control panel.
- ◆ **Integrated Heat Sensor:** Protects motor from burnout due to excessive heat from any overload condition. Automatically resets when motor has cooled.
- ◆ **Shaft and Fasteners:** Stainless steel for maximum corrosion resistance and long life.
- ◆ **Shaft Seals:** Oil lubricated single carbon and ceramic faced seal provides motor protection.
- ◆ **Volute Case:** 2" vertical discharge.
- ◆ **Impeller:** Semi-open impeller handles ground slurry without clogging or binding. Pump-out vanes help keep trash from seal and reduces pressure at seal face for longer life.
- ◆ **Axial Cutter System:** Easily slices through solids and trash commonly found in domestic wastewater without roping or clogging. Constructed of 440 SST hardened to 57-60Rc for long life. Easily replaceable without dismantling pump.

SPECIFICATIONS

- ◆ **Capacities:** 52 GPM - 196.8 LPM
- ◆ **Heads To:** 60 ft. - 18.3 m
- ◆ **Motor Electrical Data:** 3450 rpm, 60 Hz, 1 ph 115V, 230V
- ◆ **Discharge (Flange Dia.):** 2"
- ◆ **Min. Sump Diameter:** 24 in.-61.0 mm
- ◆ **Motor Housing, Seal Housing, Cord Cap and Volute Case:** Cast Iron, Class 30, ASTM A48
- ◆ **Semi-Open Impeller:** Thermoplastic
- ◆ **Power Cord:** SJ00W
- ◆ **Mechanical Seals: Standard:** Carbon and ceramic
- ◆ **Pump, Motor Shaft:** 416 SST
- ◆ **Fasteners:** 300 Series SST
- ◆ **Cutting Mechanism:** 440 SST 58-60 Rockwell



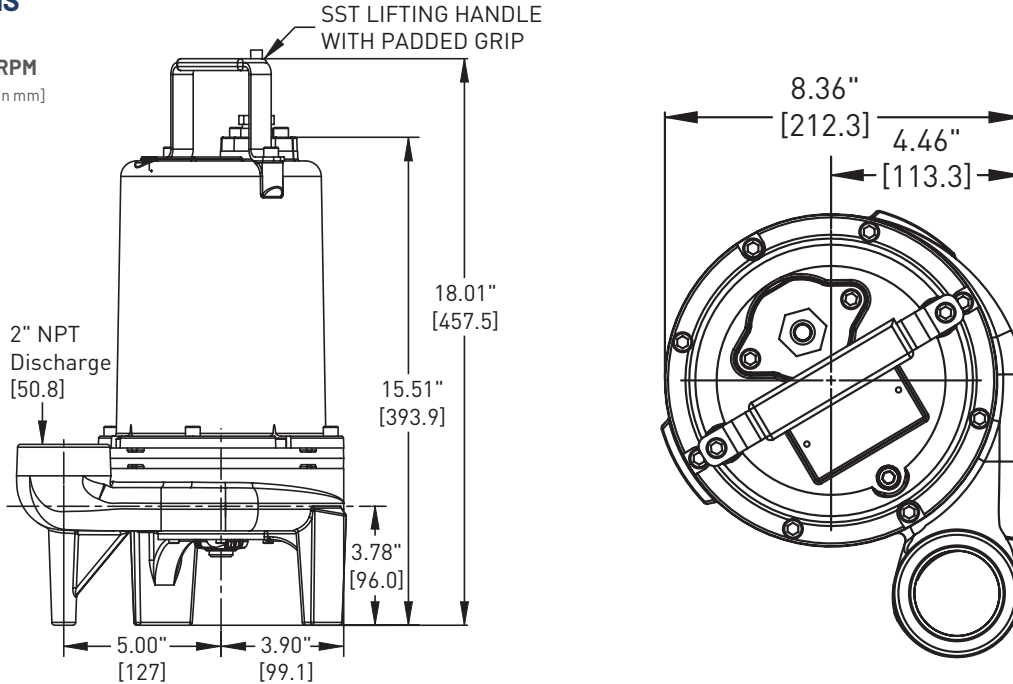
ORDERING INFORMATION

MODEL NUMBER	ENGINEERING NUMBER	HP	MAX CAPACITY	MAX HEAD	DISCHARGE NPT	SOLIDS HANDLING	VOLTS	FULL LOAD AMPS	PHASE	CORD LENGTH	SWITCH
VRS10A-11	28172D000	1	49	61	2"	-	115	13.0	1	20'	PT
VR1 VRS10M-11	28172D001	1	49	61	2"	-	115	13.0	1	20'	M
VR1 VRS10A-21	28172D002	1	49	61	2"	-	230	7.0	1	20'	PT
VRS10M-21	28172D003	1	49	61	2"	-	230	7.0	1	20'	M

WASTEWATER GRINDER PUMPS VRI SERIES

DIMENSIONS

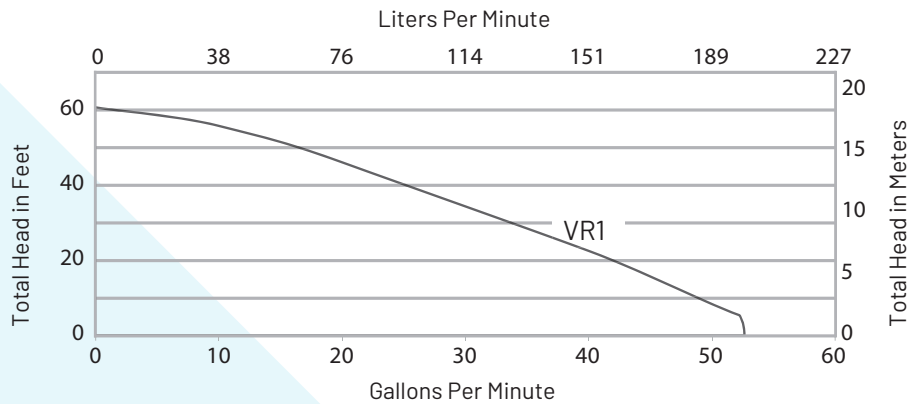
VR1 3450 RPM
[Dimensions in mm]



ELECTRICAL DATA

MODEL	ENGINEERING NUMBER	HP	VOLTAGE	PHASE	HZ	FULL LOAD AMPS	START AMPS	CORD LENGTH	DISCHARGE NPT	SWITCH	WEIGHT
VRS10A-11	528580007	1	115	1	60	13	39.9	20	2"	Auto	70
VRS10M-11	528580017	1	115	1	60	13	39.9	20	2"	Manual	70
VRS10A-21	528580027	1	230	1	60	7	20.3	20	2"	Auto	70
VRS10M-21	528580037	1	230	1	60	7	20.3	20	2"	Manual	70

PUMP PERFORMANCE



293 Wright St
Delavan, WI 53115
Ph: 888.987.8677
Fx: 800.426.9446

490 Pinebush Rd, Unit 4
Cambridge, Ontario N1T 0A5, Canada
Ph: 800.363.7867
Fx: 888.606.5484

pentair.com

All indicated Pentair trademarks and logos are property of Pentair. Third party registered and unregistered trademarks and logos are the property of their respective owners. Because we are continuously improving our products and services, Pentair reserves the right to change specifications without prior notice. Pentair is an equal opportunity employer.

©2023 Pentair. All Rights Reserved.

MY99631(08-01-23)